

NON-MAGNETIC TOUCH LATCH

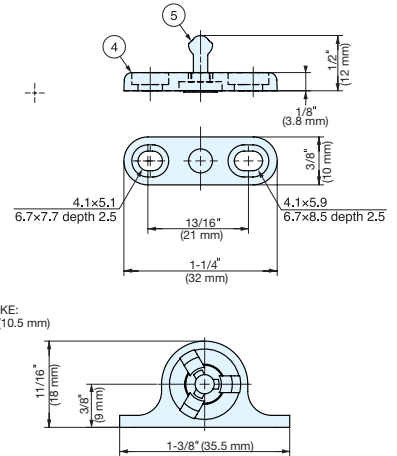
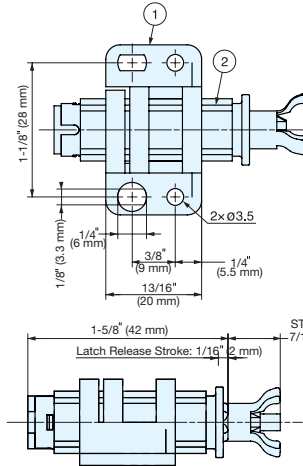
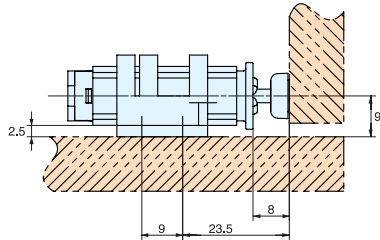


MC-20



White

Black



- Easy to install and adjust.
- Push to latch/unlatch.
- Includes screws.

Item No.	Color	Retaining Force	Weight (g)	Box (pcs)	Carton (pcs)
MC-20BL	Black	8.8 lbs (4 kg)	6	30	600
MC-20WT	White				

No.	Part Name	Material	Finish/Color
①	Body	Polypropylene	Black (BL)
②	Arm		White (WT)
③	Strike		

NON-MAGNETIC TOUCH LATCH



MC-37



White

Brown

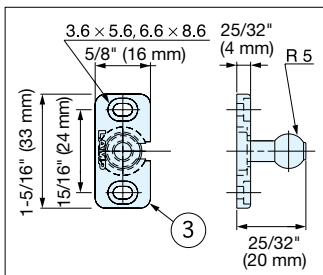
Black

Floating Strike

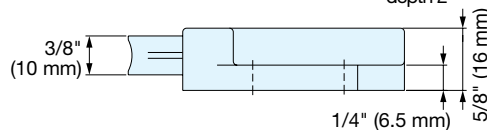
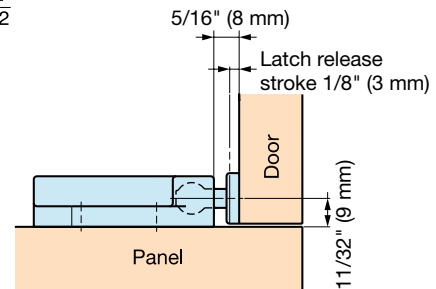
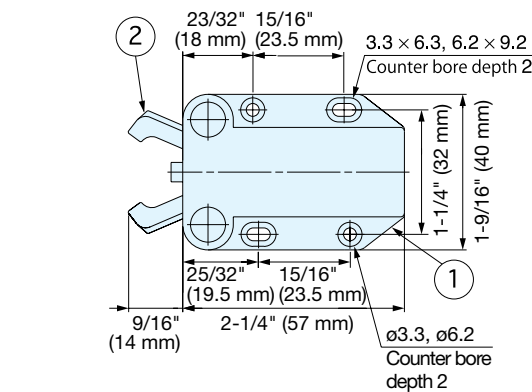
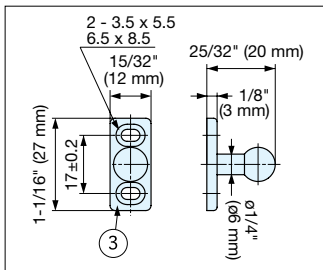
Fixed Strike

- Push to latch/unlatch.
 - Strong retaining force.
 - Floating strike models allows for easy alignment.
 - Fixed strike model in black finish also available.
- Note:
- For overlay door, allow 1/8" (3 mm) gap between door and cabinet frame for push space.
 - Pulling the door with excessive force without unlatching the unit may damage the mechanism.
 - Constant loading of over 8.8 lbs (4 kgf) or excessive pushing or pulling is not recommended.

Floating Strike



Fixed Strike



No.	Part Name	Material	Finish/Color
①	Body	ABS	Black (BLK)
②	Arm	Polycetal	Brown (BRN)
③	Strike	Polyamide	White (WHT)

Item No.	Finish	Strike Type	Retaining Force	Weight (g)	Box (pcs)	Carton (pcs)
MC-37/BLK-1	Black	Floating	17.6 lbs (8 kg)	24	30	300
MC-37/BRN-1	Brown	Floating				
MC-37/WHT-1	White	Floating				
MC-37/BLK	Black	Fixed				