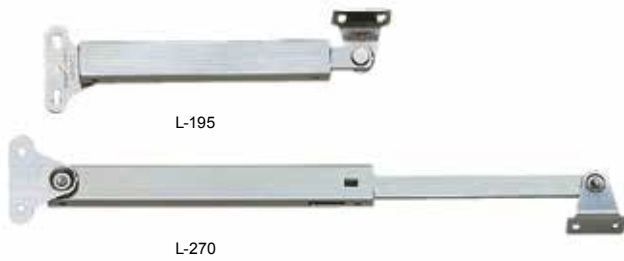


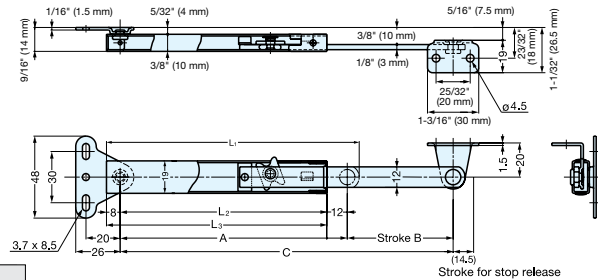
LID STAY



L

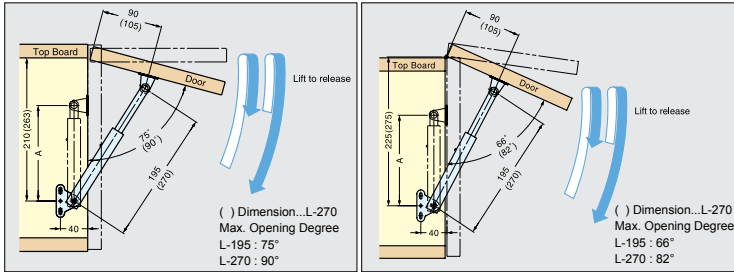


- Holds lid or panel in fully opened position.
- Lift up lid to release.
- Can be installed individually or in pairs.
- Non-Handed : Can be installed on left or right side.
- Load Capacity : 33 lbs (15 kg)/each.



With Concealed Hinge

With Piano/Butt Hinge



*Lid stay must be installed parallel to the sidewall.

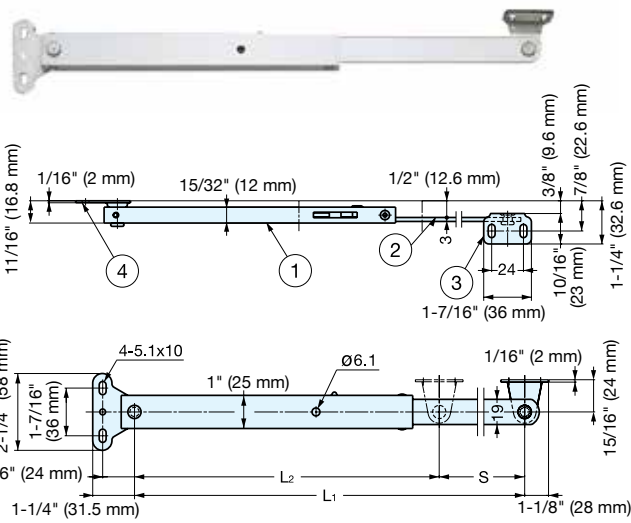
Material	Finish
304 Stainless Steel	Satin

Item No.	L ₁	L ₂	L ₃	(A)	(B)	C	Door Height	Weight (g)	Box (pcs)	Carton (pcs)
L-195	5-13/16" (148 mm)	4-3/4" (121 mm)	5-1/16" (129 mm)	5-1/4" (133 mm)	2-7/16" (62 mm)	7-11/16" (195 mm)	9-13/16"~13-3/4" (250~350 mm)	125	10	100
L-270	7-1/4" (185 mm)	6-7/32" (158 mm)	6-9/16" (166 mm)	6-11/16" (170 mm)	3-15/16" (100 mm)	10-5/8" (270 mm)	12-5/8"~19-11/16" (320~500 mm)	150		

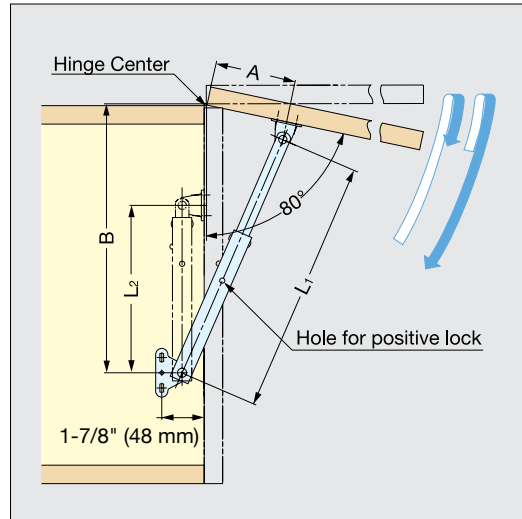
LID STAY



LB



- Holds lid or panel in fully opened position.
- Lift up lid to release.
- Can be installed individually or in pairs.
- Non-Handed : Can be installed on left or right side.



No	Part Name	Material	Finish
①	Housing	304 Stainless Steel	Satin
②	Arm		
③	Housing Bracket		
④	Arm Bracket		

Item No.	L ₁	L ₂	S	A	B	Load Capacity	Box (pcs)	Carton (pcs)
LB-200	7- 7/8" (200 mm)	6-1/8" (155 mm)	1-3/4" (45 mm)	2-3/16" (56 mm)	8-5/8" (219 mm)	66 lbs (30 kg)	10	40
LB-350	13-3/4" (350 mm)	9-1/16" (230 mm)	4-3/4" (120 mm)	5-1/16" (128 mm)	4-5/16" (364 mm)	55 lbs (25 kg)		20
LB-500	19-11/16" (500 mm)	12" (305 mm)	7-11/16" (195 mm)	7-11/16" (195 mm)	20-1/16" (510 mm)	44 lbs (20 kg)		