

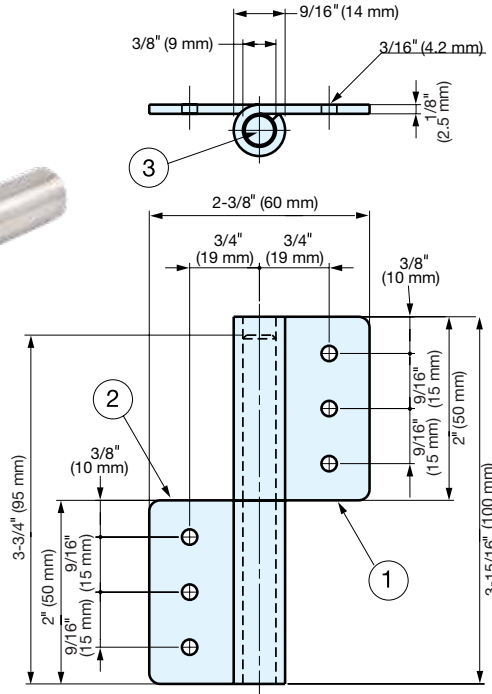
LIFT-OFF HINGE



LSX-100



Left-Hand Opening



• Left and Right handed available.

Item No.		Weight (g)	Box (pcs)	Carton (pcs)
Left	Right			
LSX-100L	LSX-100R	170	10	50

No.	Part Name	Material	Finish
①	Body A	304 Stainless Steel	Mirror
②	Body B		-
③	Pin		

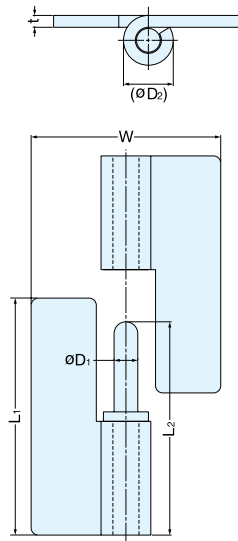
LIFT-OFF HINGE (WELD-ON)



HNH



Right-Hand Opening



• Weld-on type lift-off hinge.
• Left and Right handed available.

Material	Finish
304 Stainless Steel	Mirror

Item No.		L ₁	L ₂	W	D ₁	(D ₂)	t	Weight (g)	Box (pcs)	Carton (pcs)
Left	Right									
HNH-50CL	HNH-50CR	2" (50 mm)	1-3/4" (45 mm)	1-9/16" (40 mm)	3/16" (5 mm)	7/16" (10.5 mm)	1/8" (2.5 mm)	60	30	240
HNH-65CL	HNH-65CR	2-9/16" (65 mm)	2-3/8" (60 mm)	2" (50 mm)				89	20	160
HNH-75CL	HNH-75CR	2-15/16" (75 mm)	2-3/4" (70 mm)	2-3/4" (70 mm)	1/4" (6 mm)	1/2" (12 mm)	1/8" (3 mm)	165	10	80
HNH-100CL	HNH-100CR	3-15/16" (100 mm)	3-9/16" (90 mm)	3-1/4" (82 mm)	5/16" (8 mm)	5/8" (16 mm)	3/16" (4 mm)	347	5	40