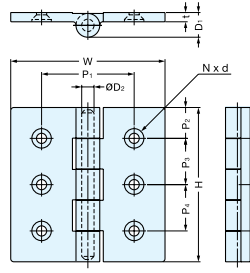


BUTT HINGE



• 316 Stainless Steel construction ideal for harsh and highly corrosive environments.

LSF-100 shown

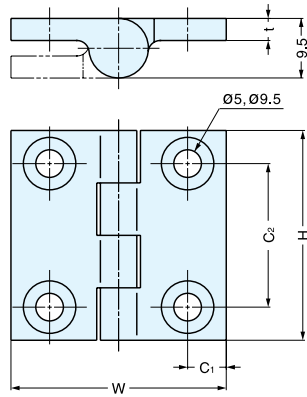
Material	Finish
316 Stainless Steel	Mirror

Item No.	H	W	P ₁	P ₂	P ₃	P ₄	t	D ₁	D ₂	Knuckles	N	d	Weight (g)	Box (pcs)	Carton (pcs)
LSF-50	2" (50 mm)	2" (50 mm)	1-3/8" (35 mm)	9/16" (15 mm)	13/16" (20 mm)	-	3/16" (5 mm)	9/16" (14 mm)	1/4" (6 mm)	3	3/16" (4 mm)	M4	110	20	100
LSF-65	2-9/16" (65 mm)	2-9/16" (65 mm)	1-9/16" (40 mm)	1-3/8" (35 mm)	-	3/16" (5 mm)	9/16" (14 mm)	1/4" (6 mm)	M5			190			
LSF-75	2-15/16" (75 mm)	2-15/16" (75 mm)	2" (50 mm)	11/16" (17.5 mm)	1-9/16" (40 mm)	-	1/4" (6 mm)	5/8" (16 mm)	5/16" (8 mm)	5	1/4" (6 mm)	M6	305	10	50
LSF-100	3-15/16" (100 mm)	3-15/16" (100 mm)	2-3/8" (60 mm)	13/16" (20 mm)	1-3/16" (30 mm)	1-3/16" (30 mm)	1/4" (6 mm)	5/8" (16 mm)	5/16" (8 mm)				500		

BUTT HINGE



28300, 28400



• 316 Stainless Steel construction ideal for harsh and highly corrosive environments.
 • Door weight: Max. 8.8 lbs/pair (4 kg/pair)
 • Max. Door size: W17-3/4" x H27-9/16" x t13/16" (W450 x H700 x t21 mm)

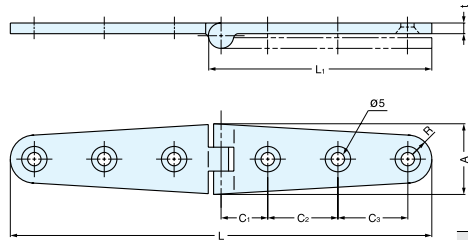
Material	Finish
316 Stainless Steel	Mirror

Item No.	H	W	t	C ₁	C ₂	Weight (g)	Box (pcs)	Carton (pcs)
28300	1-1/2" (38 mm)	1-17/32" (39 mm)	3/16" (4 mm)	1/4" (7 mm)	1" (26 mm)	55	20	100
28400	2" (50 mm)	2" (50 mm)	3/16" (4 mm)	5/16" (7.5 mm)	1-5/16" (34 mm)	90		

LEAF HINGE



50704, 50706



• 316 Stainless Steel construction ideal for harsh and highly corrosive environments.
 • Door weight: Max. 5.7 lbs/pair (2.6 kg/pair)

Material	Finish
316 Stainless Steel	Mirror

Item No.	L	L ₁	C ₁	C ₂	C ₃	A	R	t	Holes	Weight (g)	Box (pcs)	Carton (pcs)
50704	4-1/8" (105 mm)	2-1/4" (57 mm)	11/16" (17.5 mm)	1" (25 mm)	-	1-1/16" (26.5 mm)	3/8" (9 mm)	3/16" (4 mm)	4	75	20	100
50706	6-1/4" (158 mm)	3-5/16" (84 mm)	3/4" (19.5 mm)	1" (25 mm)	1" (25 mm)	1-1/16" (26.5 mm)	3/8" (9 mm)	3/16" (4 mm)	6	115		