

CABLE GROMMET FOR SHEET METAL

LS50F, LS60F

MISCELLANEOUS

CABLE GROMMET



LS50F-WT



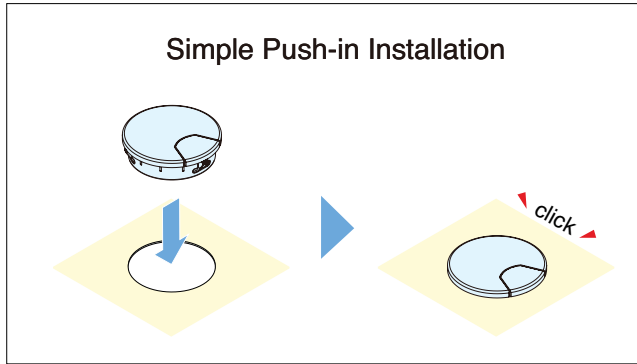
LS50F-GR



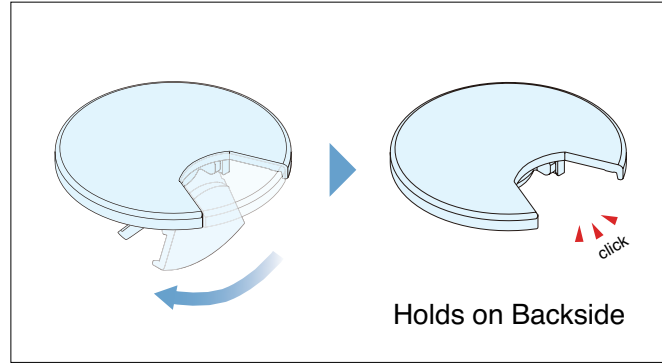
LS50F-BL

- One-touch easy installation on sheet metal.
- Folding flap can close the opening when not in use.
- Can be used for thickness 1/16" (0.8 to 2.0 mm).
- Compliant with flame retardancy standard UL94 V-0.
- Flap cover can snap open and lock in position.

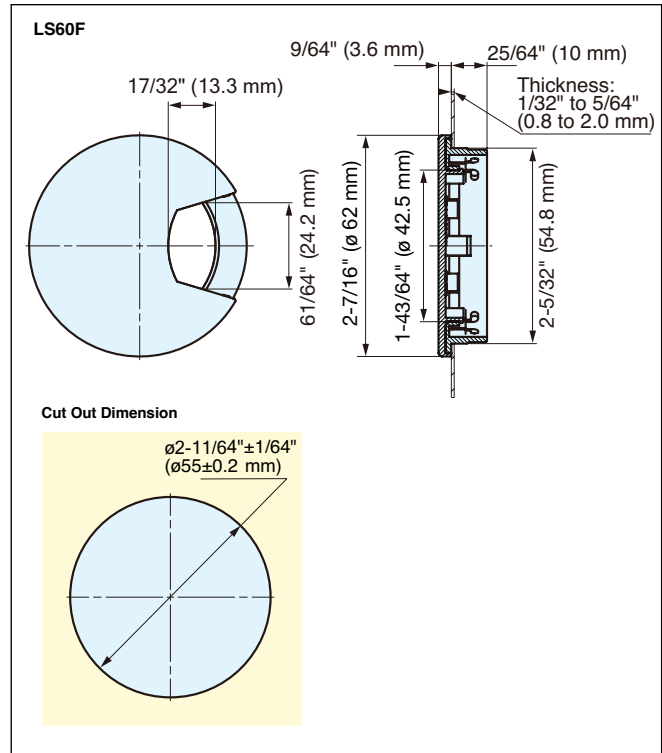
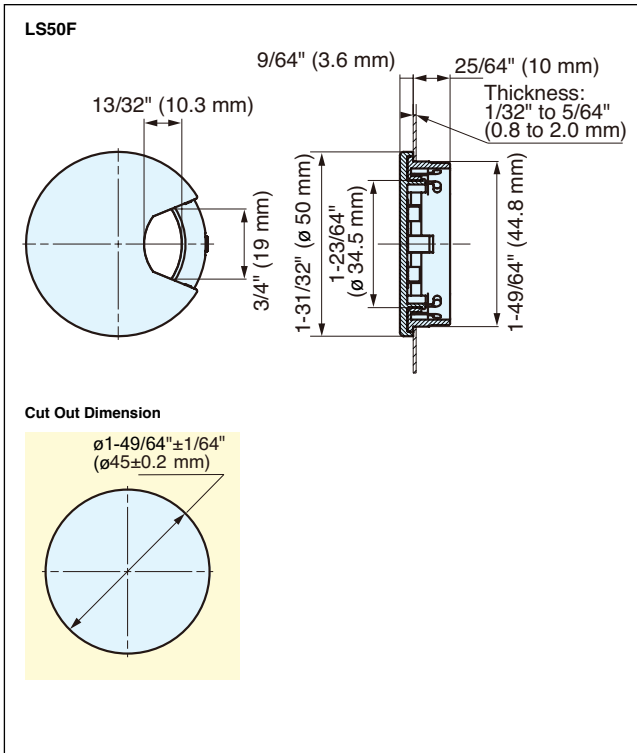
Quick Installation to Sheet Metal



Flap Cover



The cover can be folded and held on backside to prevent misplacement.
The whole cap is removable for a wider opening.



Item No.	Color	Material	Available Thickness	Weight (g)
LS50F-WT	White	ABS	1/32" to 1/16" (0.8 to 2.0 mm)	9.8
LS50F-GR	Grey			
LS50F-BL	Black			

Item No.	Color	Material	Available Thickness	Weight (g)
LS60F-WT	White	ABS	1/32" to 1/16" (0.8 to 2.0 mm)	15.3
LS60F-GR	Grey			
LS60F-BL	Black			