

SPLIT CABLE GROMMET

LS-50S-S



- Large 1-1/4" opening that can easily split apart to accept larger plugs or connectors.
- Zinc die cast grommet for greater durability and aesthetics.
- The lid is equipped with a unique locking system. Rubber stoppers on the back side prevent the lid from turning or coming off unintentionally.
- Smaller split cable grommet (CHC-S) is also available.

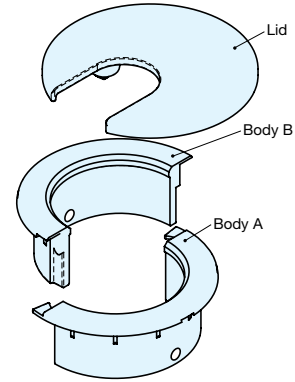


LS-50S-S-SN

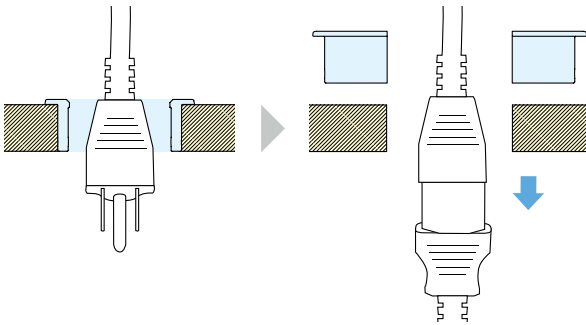
LS-50S-S-DB

LS-50S-S-BL

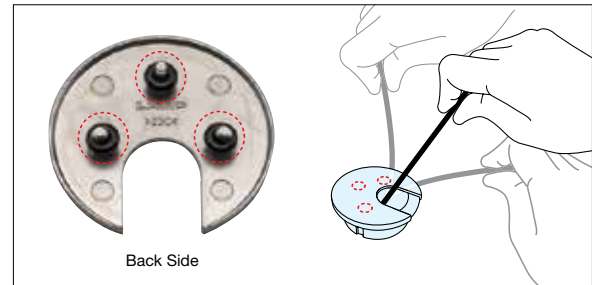
Components



Split System Easy to replace cables.

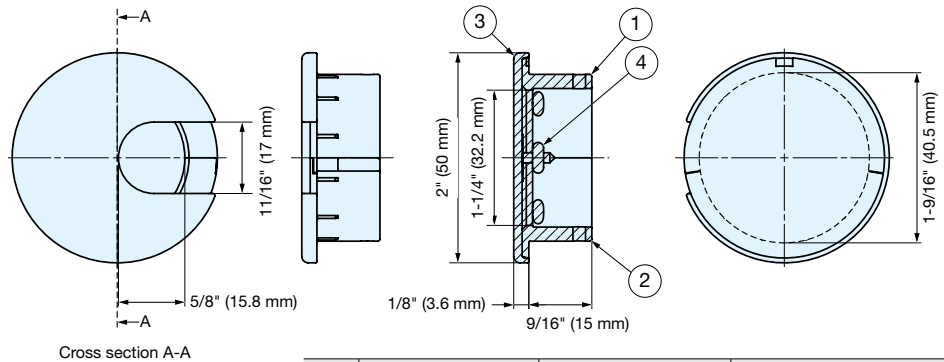
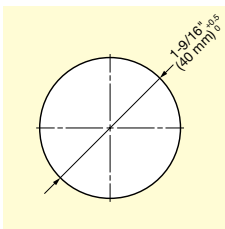


Securely Hold the Lid



The rubber stoppers hold the lid in position even when cables are moved.

Cut Out Dimensions



No.	Part Name	Material	Finish
①	Body A	Zinc Alloy (ZDC)	Satin Nickel
②	Body B		Antique Brass
③	Lid		Chrome/Matte Black
④	Rubber Stoppers	Nitrile Rubber (NBR)	Black

Item No.	Finish/Color	Weight (g)	Box (pcs)	Carton (pcs)
LS-50S-S-SN	Satin Nickel	64	20	160
LS-50S-S-DB	Antique Brass		20	160
LS-50S-S-BL	Chrome/Matte Black		20	160