

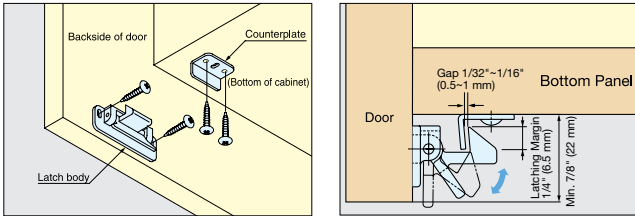
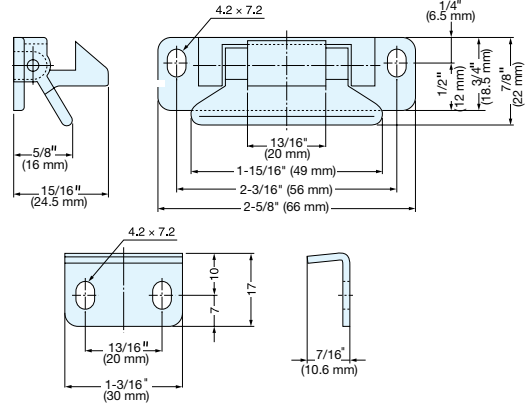
LEVER LATCH



LL-66



• Latch designed to be used on a door without knobs or handles.



Item No.	Holding Force	Weight (g)	Box (pcs)	Carton (pcs)
LL-66/BRN	44 lbs (20 kg)	25	30	300
LL-66/WHT				
LL-66/CR				
LL-66/GR*				
LL-66/BLK-P**				

Part Name	Material	Color
Latch Body	Plastic (PA)	White (WHT) Brown (BRN) Grey (GR) Black (BLK)
	Plastic (PC)	Chrome (CR)
Lever	Plastic (PA)	White (WHT) Brown (BRN) Grey (GR) Black (BLK)
	Plastic (ABS)	Chrome (CR)
Counterplate	Steel	Nickel Black (BLK)

*LL-66/GR: UL-94 V0 rated flame retardant material.
**LL-66/BLK-P: Counterplate color is Black (BLK)

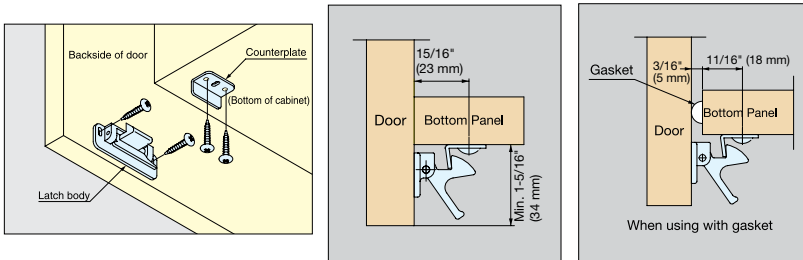
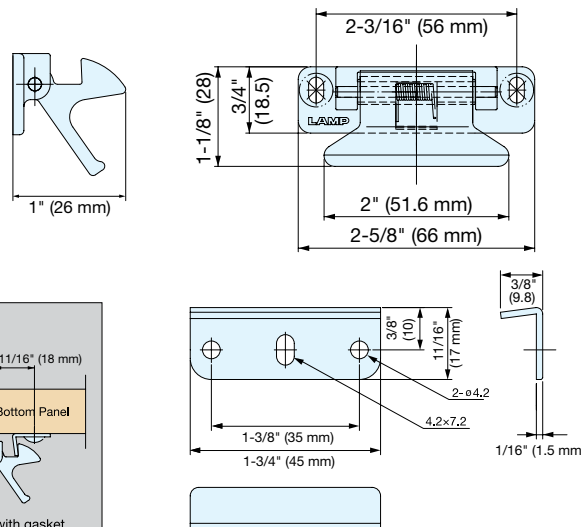
STAINLESS STEEL LEVER LATCH



LL-66S



• Latch designed to be used on a door without knobs or handles.
• 316 Stainless steel construction makes it ideal for harsh and high corrosive environments.



Item No.	Holding Force	Weight (g)	Box (pcs)	Carton (pcs)
LL-66S	44 lbs (20 kg)	85	20	100

Part Name	Material	Color
Latch Body	SCS14 Stainless Steel	Mirror
Lever	(Similar to SUS316)	
Counterplate	316 Stainless Steel	Plain
Spring		