

# LID STAY

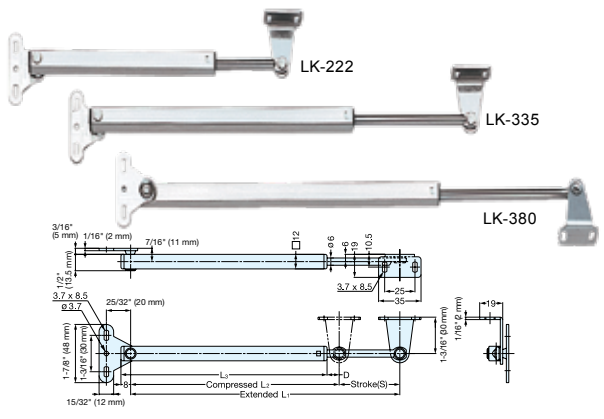


# LK

LID SUPPORTS

LID STAYS

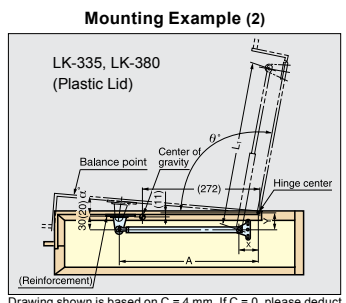
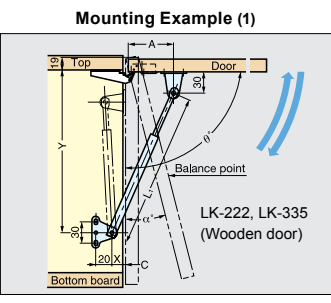
- Spring mechanism assists lifting door and holds in open position.
- Can be installed individually or in pairs.
- Non-Handed : Can be installed on left or right side.



Material	Finish
303, 304 Stainless Steel	Satin

Door weight is based on door height : LK-222 = 350 mm, LK-335 = 500 mm

Item No.	Max. Door Weight (kg)	Door Opening (θ°)	α°	L <sub>1</sub>	A	X	Y
LK-222 (2 pcs)	5.5 lbs (2.5 kg)	90	17	8-3/4" (222 mm)	2-3/4" (70 mm)	13/16" (20 mm)	9-1/4" (235 mm)
	5.9 lbs (2.7 kg)	85	15	8-3/4" (222 mm)	2-15/16" (75 mm)		9-7/16" (240 mm)
	6.6 lbs (3 kg)	75	14	8-3/4" (222 mm)	3-3/8" (85 mm)		9-7/8" (251 mm)
LK-335 (2 pcs)	6.8 lbs (3.1 kg)	90	14	13-3/16" (335 mm)	4-1/16" (104 mm)	14-31/32" (380 mm)	13-9/16" (344 mm)
	7.2 lbs (3.3 kg)	85	12	13-3/16" (335 mm)	4-7/16" (112 mm)		13-13/16" (351 mm)
	8.3 lbs (3.8 kg)	75	11	13-3/16" (335 mm)	5-1/8" (127 mm)		14-1/2" (368 mm)



Drawing shown is based on C = 4 mm. If C = 0, please deduct 4 mm from "X" in the table below.

Item No.	Max. Door Weight (kg)	Door Opening (θ°)	α°	L <sub>1</sub>	A	X	Y
LK-335 (2 pcs)	5.5 lbs (2.5 kg)	90	0.5	13-3/16" (335 mm)	11-5/8" (295 mm)	1-3/4" (45 mm)	1-1/2" (38 mm)
	6.6 lbs (3 kg)	90	14.0				1-1/2" (38 mm)
	7.2 lbs (3.3 kg)	85	12.0				1-3/4" (44 mm)
LK-380 (2 pcs)	5.5 lbs (2.5 kg)	110	8.0	14-31/32" (380 mm)	13" (330 mm)	1-9/16" (40 mm)	1-7/16" (36 mm)
	6.6 lbs (3 kg)	90	3.5		13-3/16" (335 mm)	2-5/32" (55 mm)	1-3/4" (44 mm)
	8.8 lbs (4.0 kg)	90	4.0		12-5/8" (320 mm)	1-5/8" (41 mm)	2-5/16" (59 mm)
	9.4 lbs (4.3 kg)	80	7.5		13-3/16" (335 mm)	2-3/16" (56 mm)	2-3/8" (60 mm)

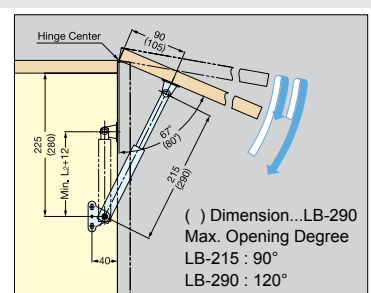
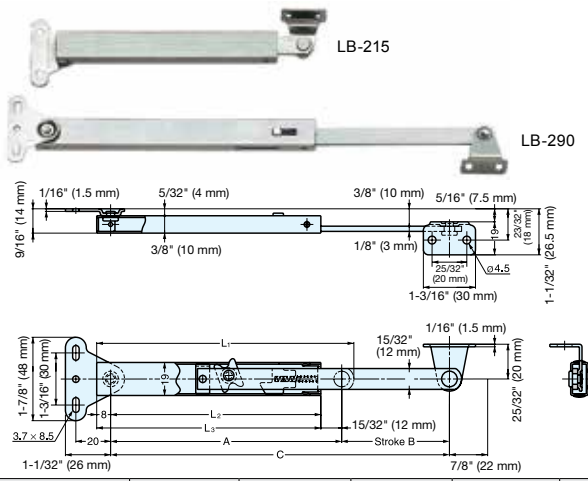
Item No.	L <sub>1</sub>	L <sub>2</sub>	L <sub>3</sub>	S	D	Extended Force	Compressed Force	Weight (g)	Box (pcs)	Carton (pcs)
LK-222	8-3/4" (222 mm)	6-3/4" (172 mm)	6-11/16" (170 mm)	2" (50 mm)	3/8" (10 mm)	7.0 lbs (3.2 kg)	15.4 lbs (7 kg)	145	25	150
LK-335	13-3/16" (335 mm)	9-13/16" (250 mm)	9-3/8" (238 mm)	3-3/8" (85 mm)	13/16" (20 mm)	8.3 lbs (3.8 kg)	18.7 lbs (8.5 kg)	185		
LK-380	14-15/16" (380 mm)	11" (280 mm)	10-9/16" (269 mm)	3-15/16" (100 mm)	3/4" (19 mm)	7.9 lbs (3.6 kg)	18.7 lbs (8.5 kg)	205		

# LID STAY



# LB-215, 290

- Holds lid or panel in fully opened position.
- Can be installed individually or in pairs.
- Non-Handed : Can be installed on left or right side.
- Load Capacity : 33 lbs (15 kg)/each.



( ) Dimension...LB-290  
Max. Opening Degree  
LB-215 : 90°  
LB-290 : 120°

Material	Finish
Zinc Alloy/304 Stainless Steel	Chrome/Satin

Item No.	L <sub>1</sub>	L <sub>2</sub>	L <sub>3</sub>	A	B	C	Door Height	Weight (g)	Box (pcs)	Carton (pcs)
LB-215	6-5/8" (168 mm)	5-9/16" (141 mm)	5-7/8" (149 mm)	6" (153 mm)	2-7/16" (62 mm)	8-7/16" (215 mm)	10-1/4"~13-3/142" (260~350 mm)	140	10	100
LB-290	8-1/16" (205 mm)	7" (178 mm)	7-5/16" (186 mm)	7-1/2" (190 mm)	3-15/16" (100 mm)	11-7/16" (290 mm)	13-3/8"~19-11/16" (340~500 mm)	160		