

# LATERAL OPENING DOOR SYSTEMS

# LIN-X800

SLIDING CABINET HARDWARE

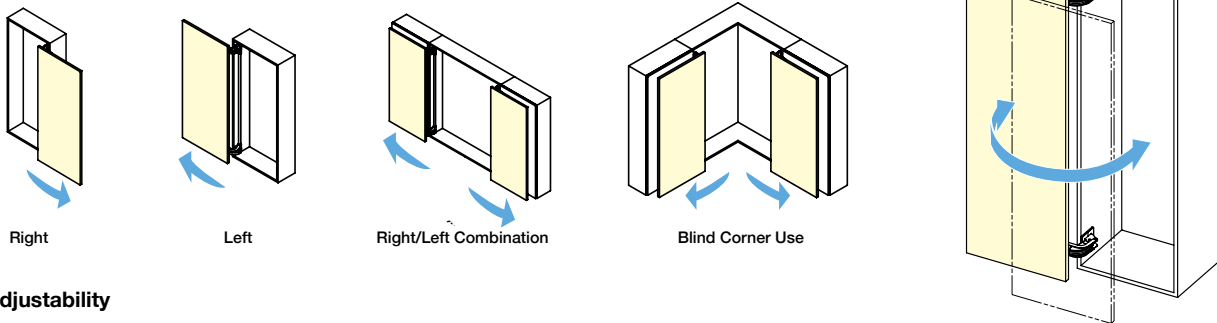
LATERAL OPENING DOOR SYSTEM



- **Lateral Opening Mechanism:** Allows doors to swing out laterally in a small radius, ideal for tight front space application.
- **4-Way Adjustable:** Vertical, horizontal, depth and parallel adjustment.
- **Smooth Movement:** Built-in dampers provide a smooth soft-closing movement.
- **Use in various applications:** Ideal for closet entryways, large pantry doors, storage, hidden rooms, etc. Can also be used on L shaped corner spaces.
- **Hardware is non-handed:** can be used for left- or right-opening doors.
- **Designed for overlay installation,** but can be installed flush with the surrounding cabinet or wall. Please contact customer service for details on inset installations.

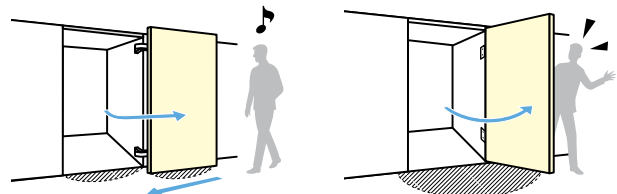
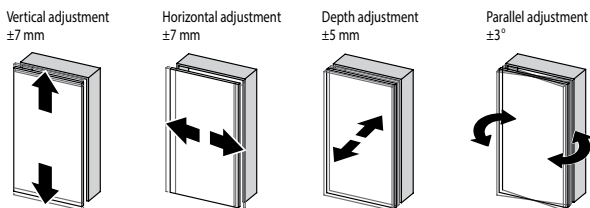


### Installation Examples



### Adjustability

Adjustable in vertical, horizontal, depth and parallel directions.



Minimize opening clearance required with LIN-X800, compared to traditional swinging doors. When closed, the LIN-X door can be flush with the surrounding walls.

	LIN-X800	LIN-X800H
Door Width	29-1/2"~33-7/16" (750~850 mm)	
Max. Door Height	94-1/2" (2400 mm)	117-5/16" (2980 mm)
Door Thickness	15/16"~1-9/16" (24~40 mm)	
Max. Door Weight	88 lbs/door (40 kg/door)	

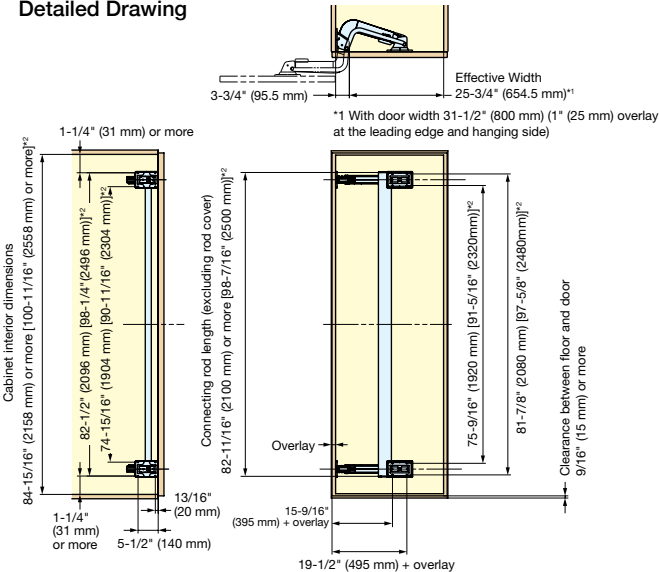
Item No.	Material	Weight	Finish
LIN-X800-WT-S	Steel, Aluminum	40 lbs (18 kg)	White
LIN-X800-BL-S			Black
LIN-X800H-WT-S		44 lbs (18.7 kg)	White
LIN-X800H-BL-S			Black

No.	Qty.	Parts in Set	Dimensions	Material	No.	Qty.	Parts in Set	Dimensions	Material
1	A · B 1 each	Hinge A		Steel, Plastic (POM) Finish: White, Matte Black	2	4 pcs	Washer cover (hanging side)		Plastic (ABS)
		Hinge B		Plastic (ABS)					
3	4 pcs	Washer cover (leading edge)		Plastic (ABS)	4	2 pcs	Rod cover		Plastic (POM)

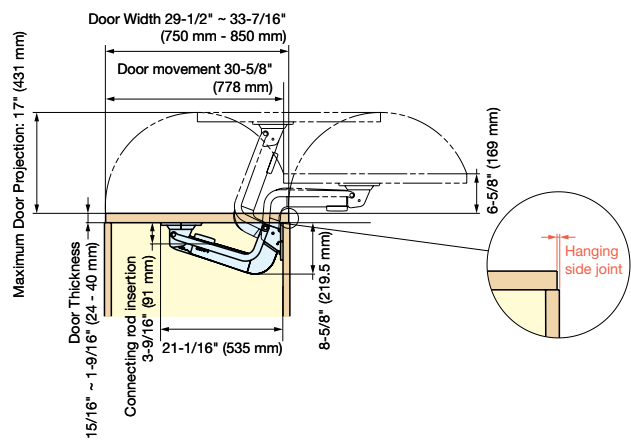
No.	Qty.	Parts in Set	Dimensions	Material
3	1	Connecting Rod		Aluminium Alloy Finish: Anodised: Black/silver
				Aluminium Alloy Finish: Anodised: Black/silver

\*The connecting rod must be cut by customer.

Detailed Drawing



Range of Motion



\*2 The dimension in [ ] indicate LIN-X800H specifications.

\*2 For cabinet interior dimensions smaller than the minimum value, reduce the other dimensions marked with \*2 by an equivalent amount.

\*The connecting rod must be cut by customer.

**Ideal for Walk-in closet, hidden shop storage, restaurant or ballroom bars as well as partition office doors.**

Model	Weight Capacity	Min. Door Size	Max. Door Size
LIN-X1000	200 lbs (90kg)	29-1/2" (750 mm)	43-5/16" (1100 mm)
LIN-X800H	88 lbs (40kg)	29-1/2" (750 mm)	33-7/16" (850 mm)
LIN-X800	88 lbs (40kg)	29-1/2" (750 mm)	33-7/16" (850 mm)
LIN-X600	52.8 lbs (24kg)	21-5/8" (550 mm)	25-9/16" (650 mm)
LIN-X450	37.4 lbs (17kg)	15-3/4" (400 mm)	19-11/16" (500 mm)

\*Inside cabinet  
 94-1/2" (2400 mm)