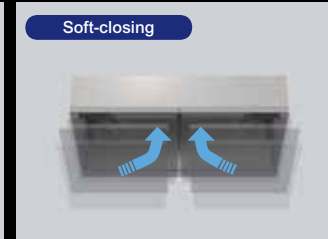




MonoFlat LIN-X hinge™



LATERAL OPENING DOOR SYSTEM

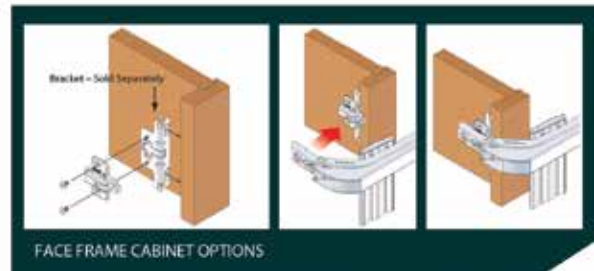
LIN-X450 / LIN-X600

Item No.	LIN-X450	LIN-X600
Door Width	15-3/4"~19-11/16" (400~500 mm)	21-5/8"~25-9/16" (550~650 mm)
Door Height	23-5/8"~94-1/2" (600~2400 mm)	
Door Thickness	15~24 mm (5/8"~15/16")	
Door Weight	*Max 37.4 lbs (17 kg)	*Max 52.8 lbs (24 kg)

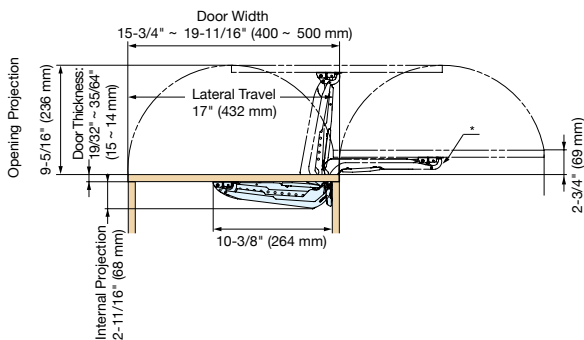
*Max door weight will vary depending on number of hinges used.

- **Lateral Swing Mechanism:**
Allows doors to swing out laterally in a small radius, ideal for tight front space application.
- **Full Access to Cabinet:**
Door will not get in the way when fully opened providing full access to the cabinet.
- **Free Swing & Soft-close**
- **Easy Installation:**
Designed for standard 32 mm system mounting, with snap-on hinge.
- **4-Way Adjustable:**
3-way adjustable like concealed hinges and also with parallel adjustment.
- **Various Applications**
Can be used in single or double door configuration. Ideal for cabinets in kitchen, bathroom, laundry room etc.
*For overlay use.

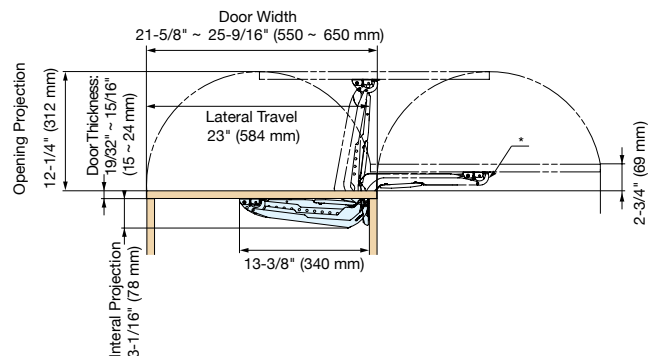
INSTALLATION



■ LIN-X450



■ LIN-X600



■ Application



Kitchen Corner (Outside)



Kitchen



TV Base Cabinet



TV Cabinet

■ Face Frame Bracket



Item No.	Material
FFCB-HG-1	304 Stainless Steel

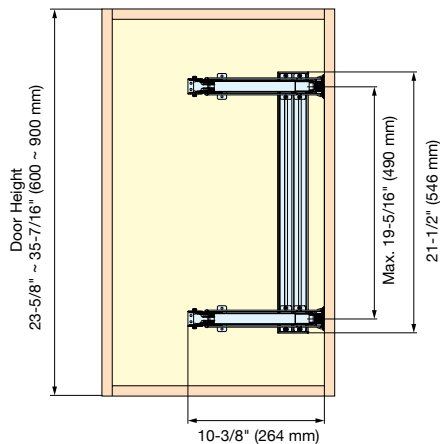
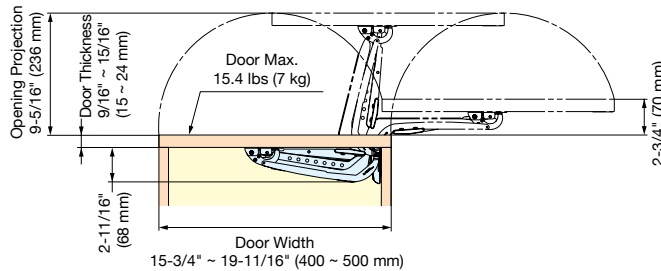
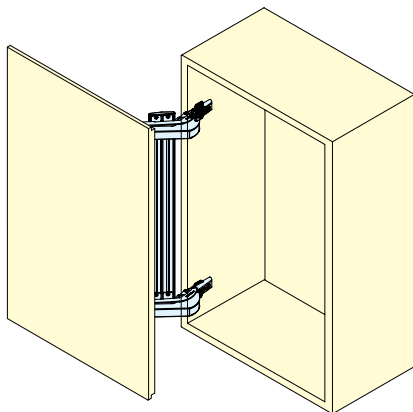
LATERAL OPENING DOOR SYSTEM

LIN-X450

SLIDING CABINET HARDWARE

LATERAL OPENING DOOR SYSTEM LIN-X HINGES

Standard Installation

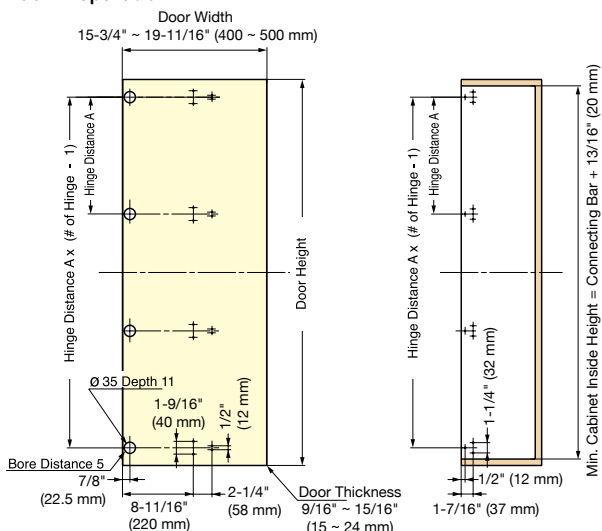


Item No.	Overlay	Material	Finish
LIN-X450	3/4" (19 mm)	Steel/Aluminum	Nickel/Anodized
LIN-X450+5	9/16" (14 mm)		
Door Width	15-3/4" ~ 19-11/16" (400 ~ 500 mm)		
Door Height	23-5/8" ~ 94-1/2" (600 ~ 2400 mm)		
Door Thickness	5/8" ~ 15/16" (15 ~ 24 mm)		
Door Weight	15.4 lbs (7 kg) ~ 37.4 lbs (17 kg)/ Door		

*Can be used on heavier / taller doors by adding hinge arms.
Please see below for details.

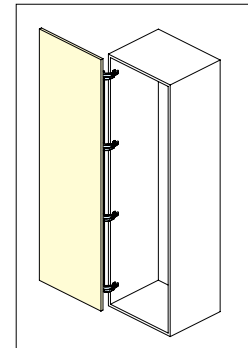
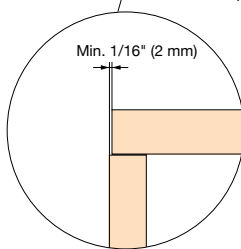
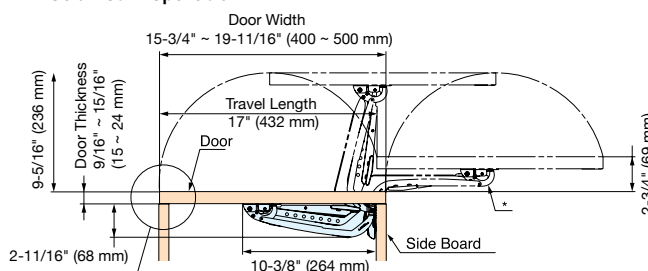
Individual Parts for Tall / Heavy Door

Door Preparation



Hinge in middle should be positioned at or equally distributed from center of door.

Cabinet Preparation



Hinge Distance A

# of Hinges	Length of Connecting Bar					
	21-1/4" (540 mm)	33-1/16" (840 mm)	44-7/8" (1140 mm)	56-11/16" (1440 mm)	68-1/2" (1740 mm)	80-5/16" (2040 mm)
2 pcs	19-5/16" (490 mm)	31-1/8" (790 mm)	42-15/16" (1090 mm)	-	-	-
3 pcs	9-5/8" (245 mm)	15-9/16" (395 mm)	21-7/16" (545 mm)	27-3/8" (695 mm)	33-1/4" (845 mm)	-
4 pcs	-	10-3/8" (263 mm)	14-5/16" (363 mm)	18-1/4" (463.3 mm)	22-3/16" (563.3 mm)	26-1/8" (663.3 mm)
5 pcs	-	-	10-11/16" (272 mm)	13-11/16" (347.5 mm)	16-5/8" (422.5 mm)	19-9/16" (497.5 mm)



Individual Parts - Ordering Chart

Ordering Info

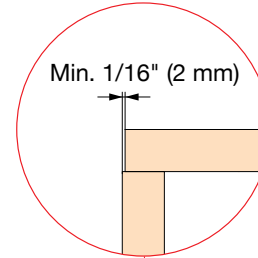
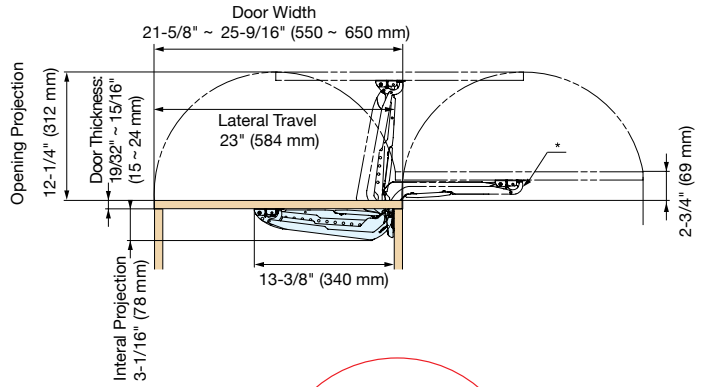
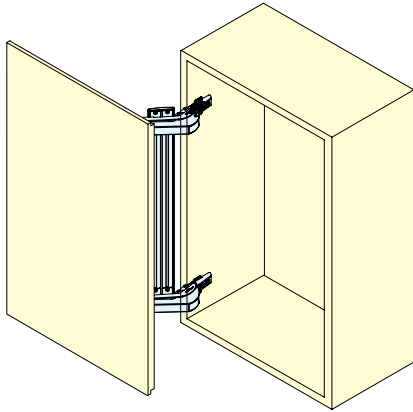
Use corresponding letter in below table, and see "Parts Breakdown Table" for parts to be ordered.

Door Height	Door Weight				Connecting Bar / Cover Cap
	~15.5 lbs (~7.0 kg)	15.6~23.0 lbs (7.1~10.5 kg)	23.1~31 lbs (10.6~14.0 kg)	31.1~37.4 lbs (14.1~17.0 kg)	
23-5/8"~35-7/16" (600~900 mm)	LIN-X450 Standard Set Connecting Bar & Cover included	B			LIN-X450-L540 1 pc LIN-X450C 2 pcs
35-7/16"~47-1/4" (901~1200 mm)	A	B	C		LIN-X450-L840 1 pc LIN-X450C 2 pcs
47-1/4"~59-1/16" (1201~1500 mm)	A	B	C	D	LIN-X450-L1140 1 pc LIN-X450C 2 pcs
59-1/16"~70-7/8" (1501~1800 mm)	B	B	C	D	LIN-X450-L1440 1 pc LIN-X450C 2 pcs
70-7/8"~82-11/16" (1801~2100 mm)	B	B	C	D	LIN-X450-L1740 1 pc LIN-X450C 2 pcs
82-11/16"~94-1/2" (2101~2400 mm)	C	C	C	D	LIN-X450-L2040 1 pc LIN-X450C 2 pcs

Parts Breakdown Table

Item Number	Description		Qty Required			
			A	B	C	D
LIN-X450ACD	Single Arm (with Damper)		2	3	3	3
LIN-X450A	Single Arm (without Damper)		-	-	1	2
230-P4W-32T (for 3/4" (19 mm) overlay) or 230-P4W-32T+5 (for 9/16" (14 mm) overlay)	Mounting Plate *Requires 3 pcs of TAP3515NI Screw 3.5 x 15NI (Sold separately) per Mounting Plate		2	3	4	5
LIN-X450-L540	Connecting Bar L= 21-1/4" (540 mm)		See table above			
LIN-X450-L840	Connecting Bar L= 33-1/16" (840 mm)					
LIN-X450-L1140	Connecting Bar L= 44-7/8" (1140 mm)					
LIN-X450-L1440	Connecting Bar L= 56-11/16" (1440 mm)					
LIN-X450-L1740	Connecting Bar L= 68-1/2" (1740 mm)					
LIN-X450-L2040	Connecting Bar L= 80-5/16" (2040 mm)					
LIN-X450C	End Cap for Connecting Bar		2			

Standard Installation



Please note handle position on other doors before installation, so that hinges will not interfere with the handles.

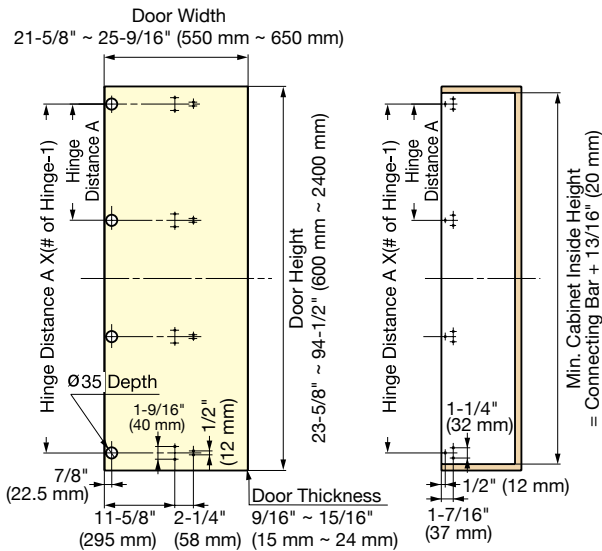
Item No.	Overlay	Material	Finish
LIN-X600	3/4" (19 mm)	Steel, Aluminum	Nickel, Anodized

Included Parts: 2 each of Hinge Arms, Mounting Plates, Cup Covers, Bar End Caps and 1 Connecting Bar.

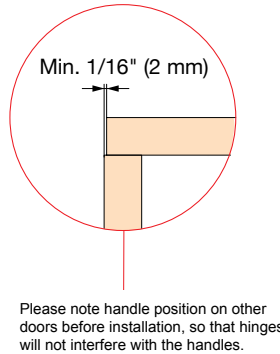
Door Width	21-5/8" ~ 25-9/16" (550~650 mm)
Door Height	23-5/8" ~ 94-1/2" (600~2400 mm)
Door Thickness	5/8" ~ 15/16" (15~24 mm)
Door Weight	Max. 19.8 lbs (9 kg) ~ 52.8 lbs (24 kg)/ Door

Individual Parts for Tall / Heavy Door

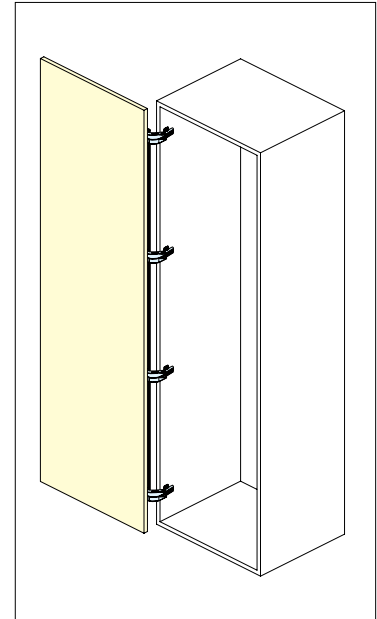
Door Preparation



Cabinet Preparation



Please note handle position on other doors before installation, so that hinges will not interfere with the handles.



Hinge Distance A

# of Hinges	Length of Connecting Bar					
	21-1/4" (540 mm)	33-1/16" (840 mm)	44-7/8" (1140 mm)	56-11/16" (1440 mm)	68-1/2" (1740 mm)	80-5/16" (2040 mm)
2 pcs	19-5/16" (490 mm)	31-1/8" (790 mm)	-	-	-	-
3 pcs	9-5/8" (245 mm)	15-9/16" (395 mm)	21-7/16" (545 mm)	27-3/8" (695 mm)	33-1/4" (845 mm)	-
4 pcs	-	-	14-5/16" (363 mm)	18-1/4" (463.3 mm)	22-3/16" (563.3 mm)	26-1/8" (663.3 mm)
5 pcs	-	-	-	13-11/16" (347.5 mm)	16-5/8" (422.5 mm)	19-9/16" (497.5 mm)



Individual Parts - Ordering Chart

Ordering Info

Use corresponding letter in below table, and see "Parts Breakdown Table" for parts to be ordered.

Door Height	Door Weight					Connecting Bar / Cover Cap
	~19.9 lbs (~9.0 kg)	20.0~26.5 lbs (9.1~12.0 kg)	26.6~35.4 lbs (12.1~16.0 kg)	35.5~44.2 lbs (16.1~20.0 kg)	44.3~52.8 lbs (20.1~24.0 kg)	
23-5/8"~35-7/16" (600~900 mm)	LIN-X600 Standard Set Connecting Bar & Cover included	B				LIN-X60-L540 1 pc LIN-X60C 2 pcs
35-7/16"~47-1/4" (901~1200 mm)		B	B			LIN-X60-L840 1 pc LIN-X60C 2 pcs
47-1/4"~59-3/64" (1201~1500 mm)		B	B	C		LIN-X60-L1140 1 pc LIN-X60C 2 pcs
59-3/64"~70-7/8" (1501~1800 mm)		B	B	C	D	LIN-X60-L1440 1 pc LIN-X60C 2 pcs
70-7/8"~82-11/16" (1801~2100 mm)		B	B	C	D	LIN-X60-L1740 1 pc LIN-X60C 2 pcs
82-11/16"~94-1/2" (2101~2400 mm)			C	C	D	LIN-X60-L2040 1 pc LIN-X60C 2 pcs

Parts Breakdown Table

Item Number	Description	Image	Qty Required			
			A	B	C	D
LIN-X600ACD	Single Arm (with Damper)		2	3	3	3
LIN-X600A	Single Arm (without Damper)		-	-	1	2
230-P4W-32T (for 3/4" (19 mm) overlay)	Mounting Plate *Requires 3 pcs of TAP3515NI Screw 3.5 x 15NI (Sold separately) per Mounting Plate		2	3	4	5
LIN-X60-L540	Connecting Bar L= 21-1/4" (540 mm)		See table above			
LIN-X60-L840	Connecting Bar L= 33-1/16" (840 mm)					
LIN-X60-L1140	Connecting Bar L= 44-7/8" (1140 mm)					
LIN-X60-L1440	Connecting Bar L= 56-11/16" (1440 mm)					
LIN-X60-L1740	Connecting Bar L= 68-1/2" (1740 mm)					
LIN-X60-L2040	Connecting Bar L= 80-5/16" (2040 mm)					
LIN-X60C	End Cap for Connecting Bar		2			