

LATERAL OPENING DOOR SYSTEM

LIN-X1000



- Lateral Opening Mechanism: Allows doors to swing out laterally in a small radius, ideal for tight front space application.
- Heavy Duty: Max. weight 198 lbs.
- 4-Way Adjustable: Vertical, horizontal, depth and parallel adjustment.
- Smooth Movement: Built-in dampers provide a smooth soft-closing movement.
- Use in various applications: Ideal for closet entryways, large pantry doors, storage, hidden rooms, etc.
- Hardware is non-handed: can be used for left- or right-opening doors.
- Designed for overlay installation, but can be installed flush with the surrounding cabinet or wall. Please contact customer service for details on inset installations.

Innovative design internationally recognized with the following awards:



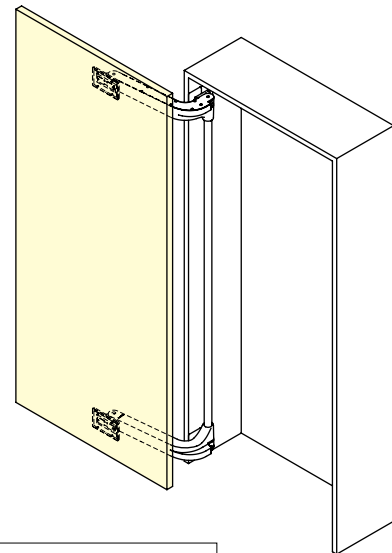
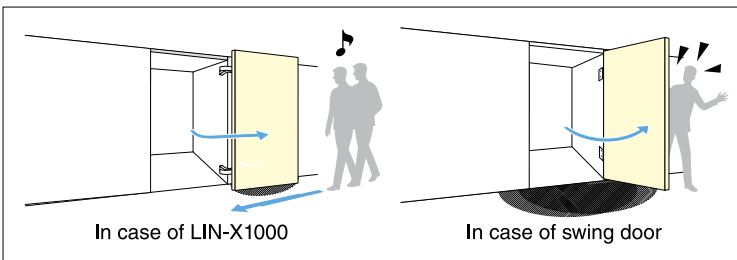
reddot award 2017
winner



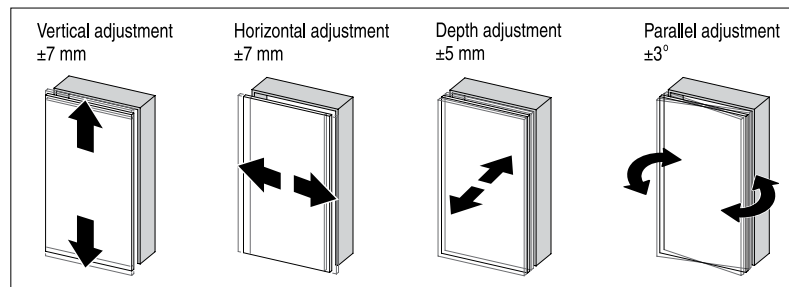
Item No.	Overlay	Material	Finish
LIN-X1000/WT-S	3/4" (19 mm)	Steel, Aluminum	White
LIN-X1000/BL-S			Black

Door Width	29-1/2"~43-5/16" (750~1100 mm)
Max. Door Height	117-5/16" (2980 mm)
Door Thickness	15/16"~1-9/16" (24~40 mm)
Max. Door Weight	198 lbs (90 kg/door)

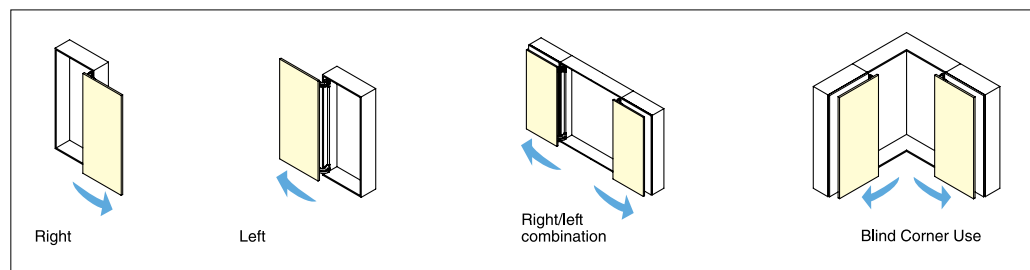
Minimize opening clearance required with LIN-X1000, compared to traditional swinging doors. When closed, the LIN-X door can be flush with the surrounding walls.



Adjustability



Installation Examples



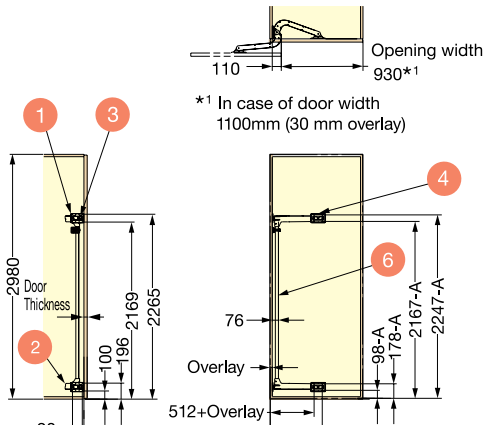
Adjustable in vertical, horizontal, depth and parallel directions.

LIN-X1000 COMPONENT DETAILS

SLIDING & FOLDING DOOR HARDWARE

LATERAL OPENING DOOR SYSTEM

No.	Qty	Dimensions	Description	No.	Qty	Dimensions	Description
1	1 pc	<p>Upper Arm</p>	<ul style="list-style-type: none"> Material Aluminum Alloy Finish White/Black Powder Coated 	1	4 pcs		<ul style="list-style-type: none"> Material ABS Finish White/Black
2	1 pc	<p>Lower Arm</p>	<ul style="list-style-type: none"> Material Aluminum Alloy Finish White/Black Powder Coated 	2	1 pc		<ul style="list-style-type: none"> Material PBT Finish White/Black
3	4 pcs	<p>Cover for Mounting Plate (Hinge Side)</p>	<ul style="list-style-type: none"> Material ABS Finish White/Black 	3	4 pcs		<ul style="list-style-type: none"> Material PBT Finish White/Black
4	1 pc		<ul style="list-style-type: none"> Material Aluminum Alloy Finish White Anodized/Black Anodized 				



Range of Motion

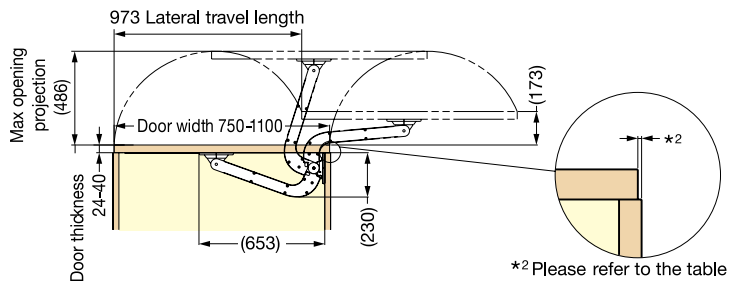


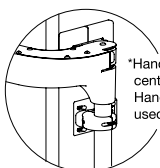
Table 1: Handle position area (for door thickness 1-9/16" (40 mm))

Door Width/Hinge Side Clearance	3/8" (10 mm)	9/16" (15 mm)	13/16" (20 mm)
29-17/32" ~ 35-7/16" (750 mm ~ 900 mm)	Max. 11-13/16" (300 mm)	Max. 13-3/4" (350 mm)	Max. 19-11/16" (500 mm)
35-7/16" ~ 39-3/8" (900 mm ~ 1000 mm)	Max. 7-7/8" (200 mm)	Max. 9-13/16" (250 mm)	Max. 15-3/4" (400 mm)
39-3/8" ~ 43-5/16" (1000 mm ~ 1100 mm)	Max. 3-15/16" (100 mm)	Max. 5-15/16" (150 mm)	Max. 11-13/16" (300 mm)

Table 2: Please follow Height Adjustment (A) based on the following table so that the door will not contact the floor.

Door Weight	Height Adjustment
44 lbs (20 kg)	1/16" (2 mm)
66.1 lbs (30 kg)	1/8" (3.5 mm)
88.1 lbs (40 kg)	3/16" (5 mm)
110.2 lbs (50 kg)	1/4" (6.5 mm)
132.2 lbs (60 kg)	5/16" (8 mm)
154.3 lbs (70 kg)	3/8" (9.5 mm)
176.3 lbs (80 kg)	7/16" (11 mm)
198.4 lbs (90 kg)	1/2" (12.5 mm)

[Details of 5]



*Handle position area is centered on the door width. Handle can also be used vertically.

