

LAPCON DOOR DAMPER (RECESSED TYPE)



LDD-V100

HINGES

LAPCON DOOR DAMPERS (RECESSED TYPE)



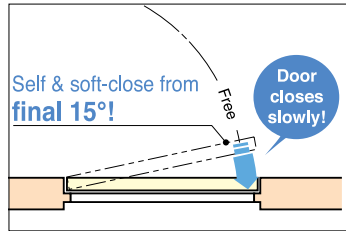
LDD-V100-NI-L shown.

- Door damper unit for interior, swinging doors.
- Grips door at final 15° and softly, self-closes doors more gently compared to other door closers, putting less stress on the hinges.
- Heavy Duty: Holds up to 220 lbs doors (100 kg).
- "Invisible" design minimizes visibility of the hardware.
- Recommended Door Specifications:
 Thickness: minimum 1-9/16"~2-3/8" (40 mm~60 mm)
 Width: maximum 35-7/16" (900 mm)
 Weight: 88~220 lbs (40~100 kg)
- Can be adjusted for door weight after installation. Counterplate position can be easily adjusted by removing cover and turning micro-adjustment screws.
- Can be used with HES3D-E190 and HES3D-160.
- Includes screws and paper template for installation.



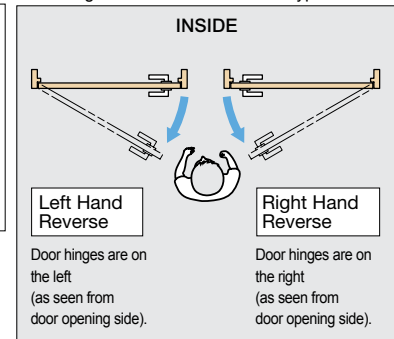
Counter plate cover (Nickel/Dark brown)

Door Movement

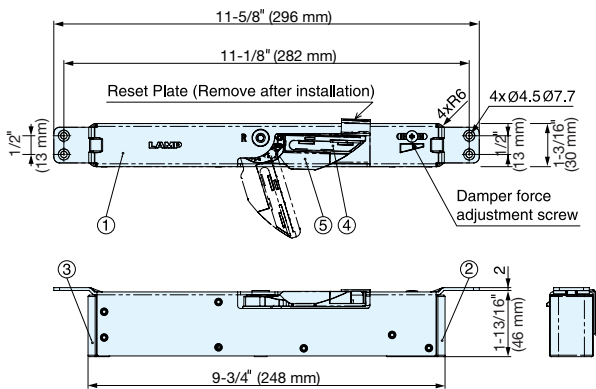


Right-handed type shown.
Left-handed type is symmetrical.

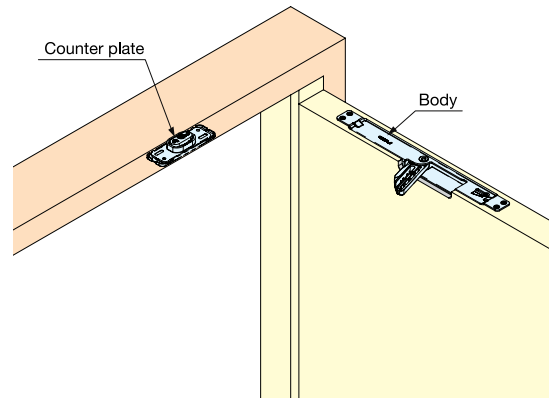
Door Hinge Side Indicates Product Type



[Body]

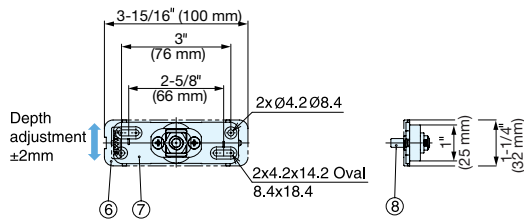
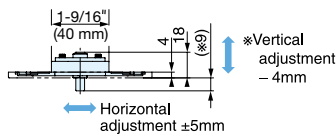


Below drawing shows right-handed type. Left-handed type is symmetrical.



Installation

[Counter Plate]

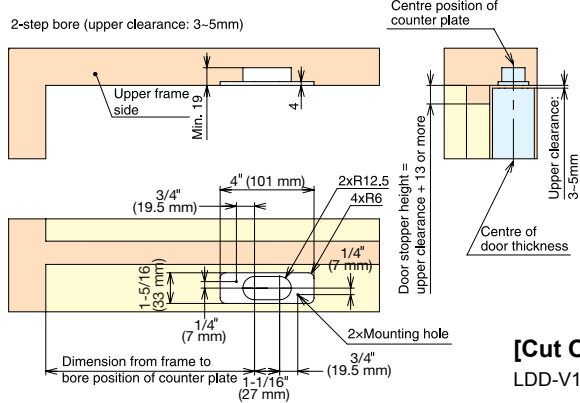
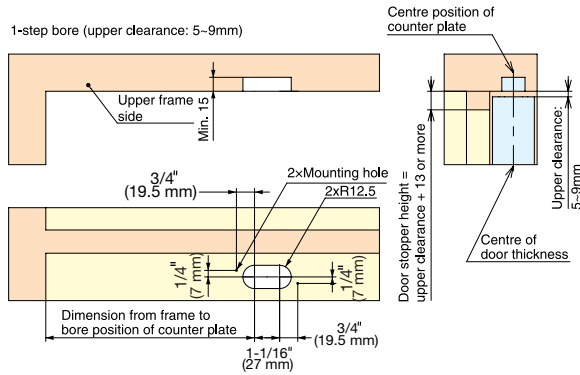


No.	Part Name	Material	Finish/Color
①	Case	Steel (SPCC)	Nickel
②	Damper Base	POM	Grey
③	Spring Base	POM	Grey
④	Arm Cover	POM	Grey
⑤	Arm	Zinc Alloy (ZDC)	Nickel
⑥	Counter Plate Cover	ABS	Dark Brown/Nickel
⑦	Counter Plate Base	Zinc Alloy (ZDC)	-
⑧	Counter Plate Shaft	Steel (SUM)	Nickel

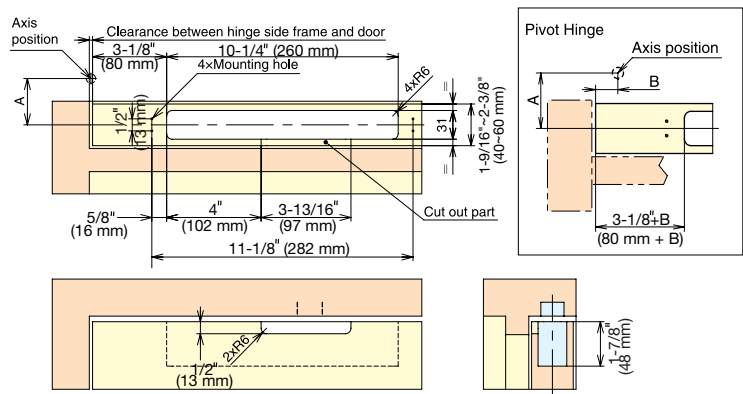
Item No.	Finish/Color	Type	Door Weight	Door Width	Door Thickness	Box (pc)	Carton (pcs)
LDD-V100-DBR-R	Dark Brown	Right Hand Reverse	88 lbs~220 lbs (40~100 kg)	Max. 35-7/16" (900 mm)	1-9/16"~2-3/8" (40~60 mm)	1	10
LDD-V100-DBR-L		Left Hand Reverse					
LDD-V100-NI-R	Nickel	Right Hand Reverse					
LDD-V100-NI-L		Left Hand Reverse					

[Cut Out Dimensions for Frame]

LDD-V100-R (right-handed) shown. LDD-V100-L (left-handed) is symmetrical.


[Cut Out Dimensions for Door]

LDD-V100-R (right-handed) shown. LDD-V100-L (left-handed) is symmetrical.



Dimension from frame to bore position of counter plate (mm)

Door Hinge		Clearance Between Hinge Side Frame and Door (mm)				
		1	2	3	4	5
HES3D-160, E190		8-9/16" (217 mm)	8-9/16" (218 mm)	8-5/8" (219 mm)	8-11/16" (220 mm)	8-11/16" (221 mm)
Butt Hinge	A=13/16"~1-3/8" (20~35 mm)	8-11/16" (220 mm)	8-11/16" (221 mm)	8-3/4" (222 mm)	8-3/4" (223 mm)	8-13/16" (224 mm)
	A=1-3/8"~2" (35~50 mm)	8-3/4" (223 mm)	8-13/16" (224 mm)	8-7/8" (225 mm)	8-7/8" (226 mm)	8-15/16" (227 mm)
Pivot Hinge	A=13/16"~1-3/8" (20~35 mm)	8-11/16" (220 mm)+B	8-11/16" (221 mm)+B	8-3/4" (222 mm)+B	8-3/4" (223 mm)+B	8-13/16" (224 mm)+B
	A=1-3/8"~2" (35~50 mm)	8-3/4" (223 mm)+B	8-13/16" (224 mm)+B	8-7/8" (225 mm)+B	8-7/8" (226 mm)+B	8-15/16" (227 mm)+B

If clearance between hinge side frame and door is beyond the range in the table above, calculate as per the table below.

Door Hinge	Dimension from Frame to Bore Position of Counter Plate (mm)	
HES3D-160, E190	8-1/2" (216 mm) + Clearance Between Hinge Side Frame and Door	
Butt Hinge	A=13/16"~1-3/8" (20~35 mm)	8-5/8" (219 mm) + Clearance Between Hinge Side Frame and Door
	A=1-3/8"~2" (35~50 mm)	8-3/4" (222 mm) + Clearance Between Hinge Side Frame and Door
Pivot Hinge	A=13/16"~1-3/8" (20~35 mm)	8-5/8" (219 mm) + B + Clearance Between Hinge Side Frame and Door
	A=1-3/8"~2" (35~50 mm)	8-3/4" (222 mm) + B + Clearance Between Hinge Side Frame and Door