

LAPCON DOOR DAMPER (RECESSED TYPE)



LDD-V

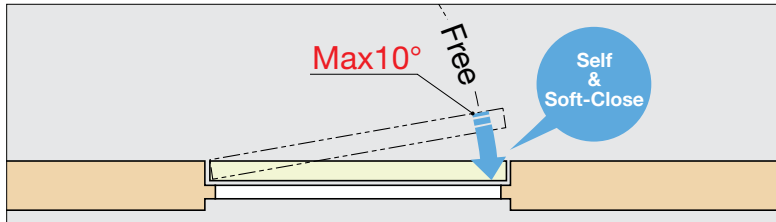
HINGES

LAPCON DOOR DAMPERS (RECESSED TYPE)

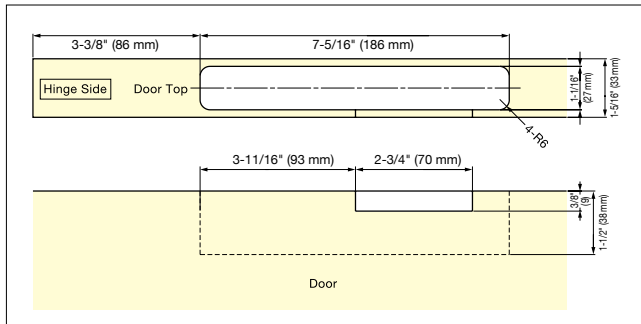
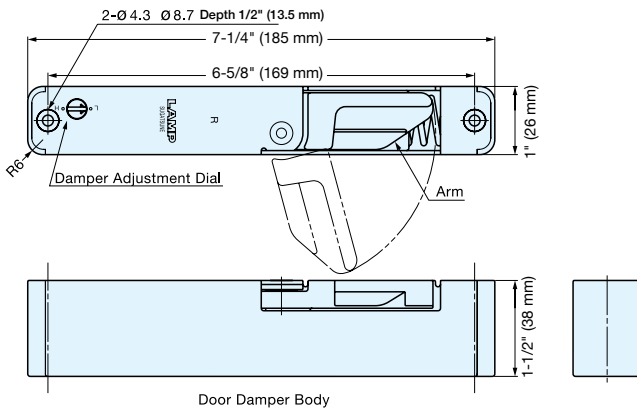


- Door damper unit for interior, swinging doors.
- Grips door at final 10° and softly, self-closes doors more gently compared to other door closers, putting less stress on the hinges.
- "Invisible" design minimizes visibility of the hardware.
- Recommended Door Specifications:
Thickness: minimum 33 mm (1-5/16")
Width: maximum 36" (914 mm)
Weight: 15~40 kg (33~88 lbs)
- Can be adjusted for door weight after installation. Counterplate position can be easily adjusted by removing cover and turning micro-adjustment screws.
- Can be used with HES hinges (P.180~189), sold separately.
- Includes screws and paper template for installation.

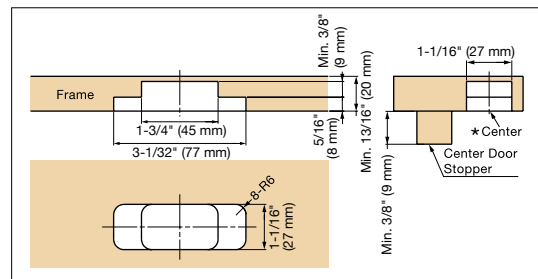
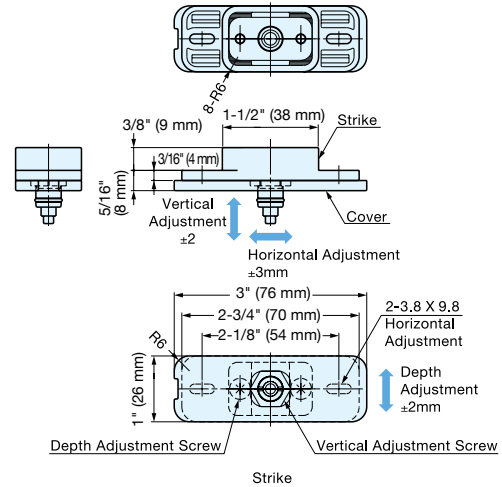
LDD-V-R is shown



LDD-V-R is shown



Bore Dimensions (Door)

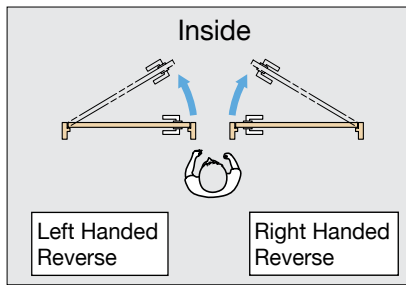
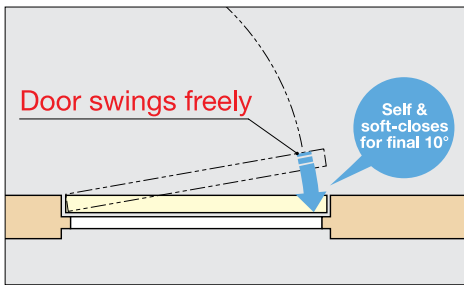
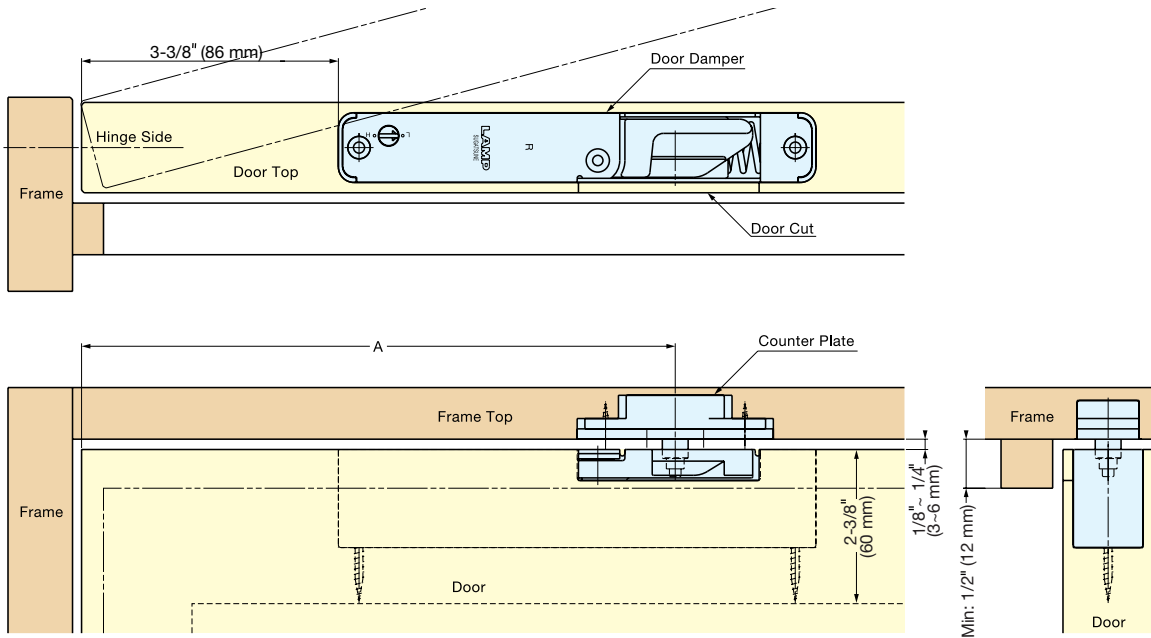


Bore Dimensions (Frame)

Part Name	Material	Finish/Color
Main Body	Steel/Polyacetal/PBT	Chromate/Grey
Counter Plate	Steel/Polyacetal	Nickel/Grey

Item No.	Type	Door Weight	Door Width	Door Thickness	Box (pc)	Carton (pcs)
LDD-V-R	Right	33 ~ 88 lbs (15 ~ 40 kg)	Max. 36" (914 mm)	Min. 1-5/16" (33 mm)	1	24
LDD-V-L	Left					

Installation (LDD-V-R)



Hinge	A
HES3D-120	219
HES3D-V135LGR	217
HES3D-160	220
HES3D-E190	
3535/SS	223

*Dimension A depends on type of hinge used

Please take the following precautions when considering this hardware for your application:

- For interior use at room temperature (32~104°F, 0~40°C) only-not intended for use under high winds, high temperature or humidity, or where the hardware may get wet.
- Effectiveness may decrease over time if door is slammed closed continuously.
- Closing performance may vary depending on door latch bolt.
- If being used at the entrance of a room where air cannot move freely (vault, cellar, etc.), the ambient air pressure may affect the closing speed and power of the hardware.
- Do not hang on/hang anything on the arm as it may damage the hardware.
- Please read the installation instructions included with the hardware fully before installation.
- After installation and during normal use, please check the fasteners and hardware on a regular basis.

