

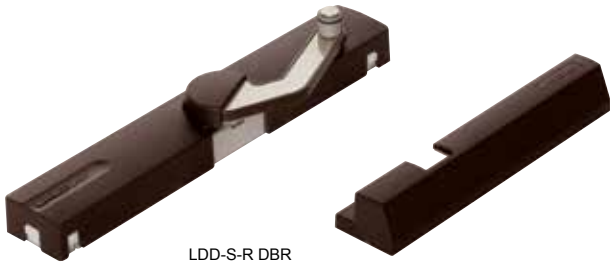
LAPCON DOOR DAMPER (SURFACE MOUNT TYPE)



LDD-S

HINGES

LAPCON DOOR DAMPERS (SURFACE MOUNT TYPE)

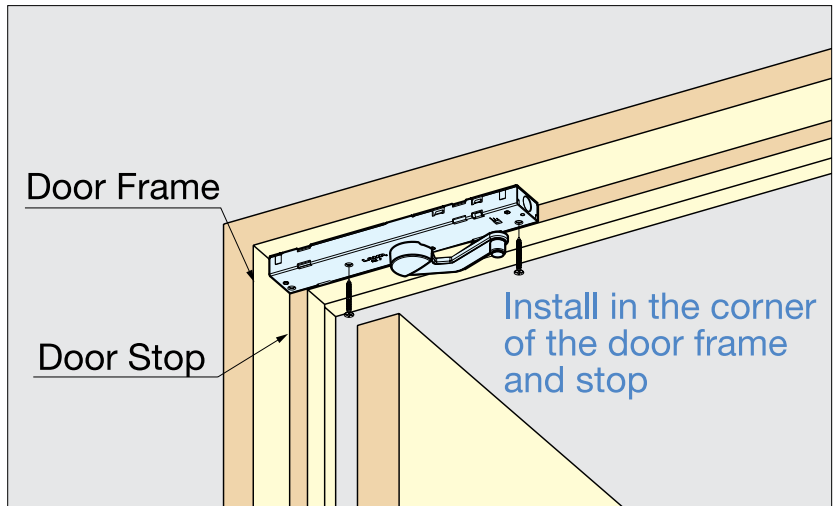
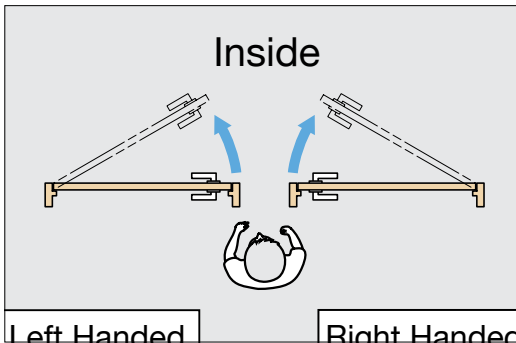
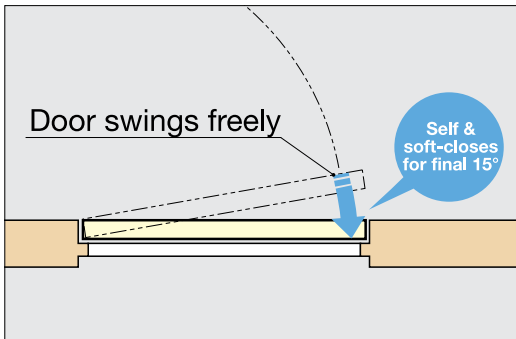
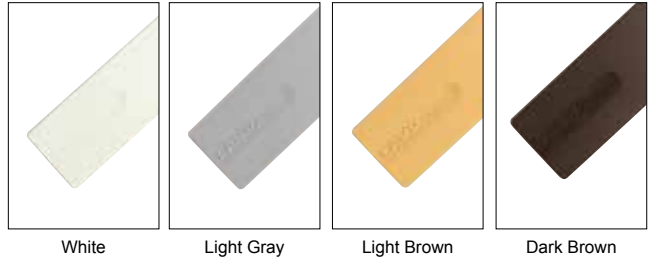


LDD-S-R DBR
(Right - handed)

- Door damper unit for interior, swinging doors.
- Grips door at final 15° and softly, self-closes doors more gently compared to other door closers, putting less stress on the hinges.
- Surface mounting allows hardware to be added to existing doors.
- Recommended Door Specifications:
Width: Max. 36" (914 mm)
Weight: 33~88 lbs (15~40 kg)
- Can be adjusted for door weight after installation. Damper function can also be switched off.
- Slim, unobtrusive design: damper unit is just 3/4" high, easily fitting most door frames.
- Available in 4 colors to match your door, specify White (WT), Light Grey (LGR), Light Brown (LBR), or Dark Brown (DBR).
- Can be used with HES hinges (P.180~189), sold separately.
- Includes screws for installation.



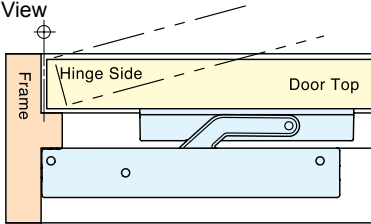
■ Available in the following colors:



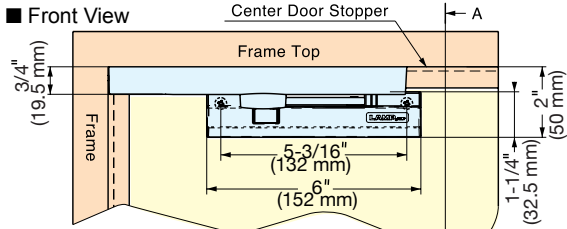
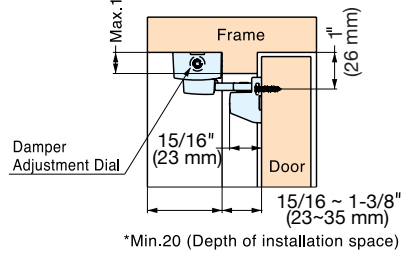
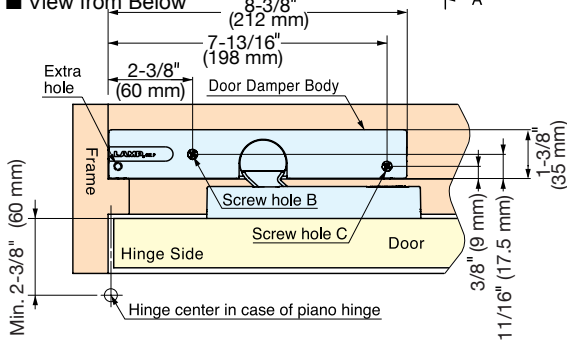
■ Installation & Adjustment

Item No.	Handing	Retaining Force	Weight	Box (pc)	Carton (pcs)
LDD-S-L	Left	2.2 lbf (9.8 N)	1.2 lbs (0.55 kg)	1	50
LDD-S-R	Right				

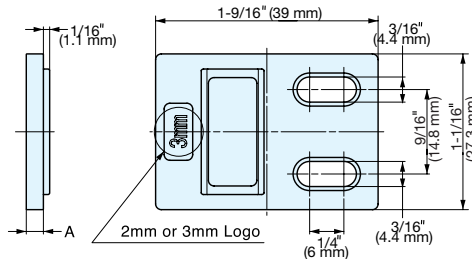
Component	Material	Finish/Color
Main Body	Steel, Zinc Alloy	Plain
Counter Plate		
Covers	ABS	White (WT), Light Grey (LGR), Light Brown (LBR), Dark Brown (DBR)

Top View


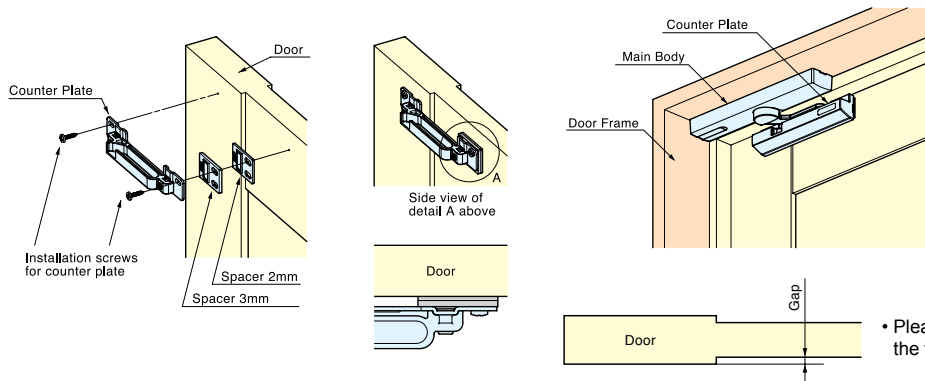
*Top view shows mounting position of hardware in case of depth of installation space is min. 1" (25 mm).
If the dimension is between 13/16" and 1" (20 mm and 25 mm), please move damper 1" (25 mm) away from hinge side. Then please use screw hole C and Extra hole to install damper instead of screw hole B.

FRONT VIEW

Side View

View from Below

Please take the following precautions when considering this hardware for your application:

- For interior use at room temperature (32~104°F, 0~40°C) only-not intended for use under high winds, high temperature or humidity, or where the hardware may get wet.
- Effectiveness may decrease over time if door is slammed closed continuously.
- Closing performance may vary depending on door latch bolt.
- If being used at the entrance of a room where air cannot move freely (vault, cellar, etc.), the ambient air pressure may affect the closing speed and power of the hardware.
- Do not hang on/hang anything on the arm as it may damage the hardware.
- Please read the installation instructions included with the hardware fully before installation.
- After installation and during normal use, please check the fasteners and hardware on a regular basis.

SPACER FOR LDD-S
LDD-S-P


- Spacer to install LDD-S counter plate (P. 200, sold separately) on uneven door surfaces, such as those on panel doors.
- Available in 1/16" (2 mm) and 1/8" (3 mm) thicknesses. Mix and match spacers for varying thicknesses.
- Spacers still allow micro adjustments to be made for the main unit.



• Please confirm difference between the face of the door panel, etc.

Item No.	A	Weight (g)	Box (pcs)	Carton (pcs)	Material	Color
LDD-S-P2 BL	1/16" (2 mm)	1.8	100	1000	ABS	Black
LDD-S-P3 BL	1/8" (3 mm)	2.8				