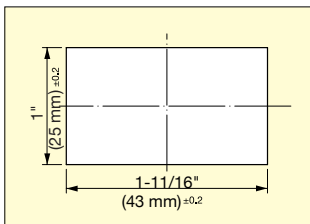


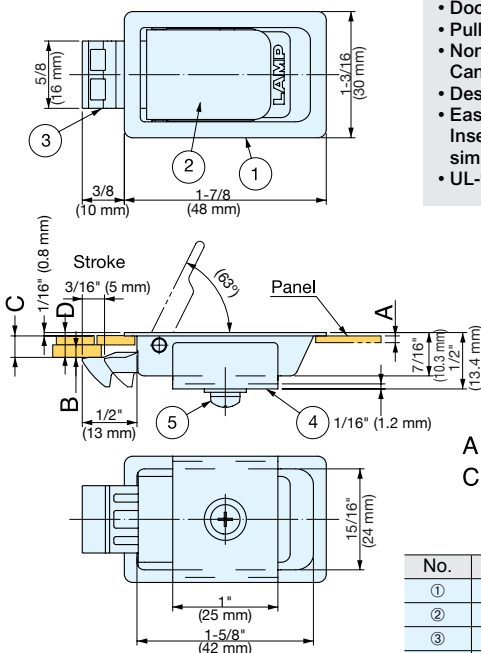
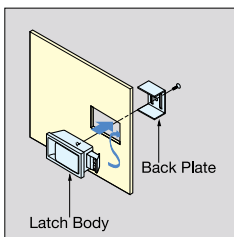
FLUSH SLAM LATCH



LC-48



Cut Out Dimensions



- Door will be latched when closed.
- Pull paddle handle to open.
- Non-Handed:
Can be installed on left or right side.
- Designed for panel thickness Max. 1/16" (1.6 mm).
- Easy installation:
Insert the latch body through cutout section and simply screw-on the back plate.
- UL-94 VO rated flame retardant material.

A: Recommended panel thickness
C: Dimensions between top of latch and inside panel

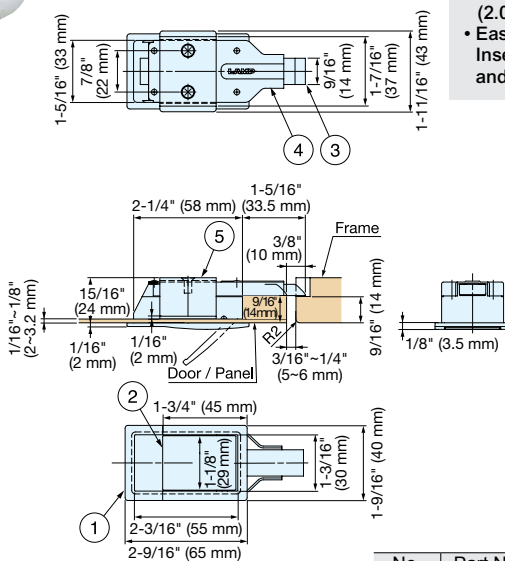
No.	Part Name	Material	Finish
①	Body	304 Stainless Steel	Plain
②	Lever	304 Stainless Steel	Plain
③	Latch Bolt	PBT Plastic	White
④	Back Cover	304 Stainless Steel	Plain
⑤	Back Plate	304 Stainless Steel	Plain

Item No.	Panel Thickness	B	C	D	Weight (g)	Box (pcs)	Carton (pcs)
LC-48-3	1/32"~1/16" (1.0~1.6 mm)	3.5	3.2	1.6	35	40	400
LC-48-5	1/32"~3/32" (1.0~2.3 mm)	5.1	4.6	2.3			

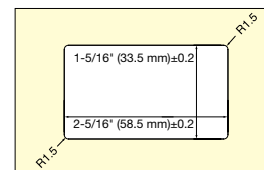
FLUSH SLAM LATCH



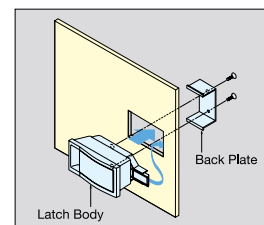
LC-65A



- Door will be latched when closed.
- Pull paddle handle to open.
- Non-Handed:
Can be installed on left or right side.
- Designed for panel thickness 1/16"~1/8" (2.0~3.2 mm).
- Easy installation:
Insert the latch body through cutout section and simply screw-on the back plate.



Cut Out Dimensions



No.	Part Name	Material	Finish
①	Body	Aluminum Alloy	Anodized
②	Lever	Aluminum Alloy	Anodized
③	Latch Bolt	Polyacetal	White
④	Back Cover	304 Stainless Steel	Plain
⑤	Back Plate	304 Stainless Steel	Plain

Item No.	Door Thickness	Weight (g)	Box (pcs)	Carton (pcs)
LC-65A	1/16"~1/8" (2.0~3.2 mm)	108	10	100