

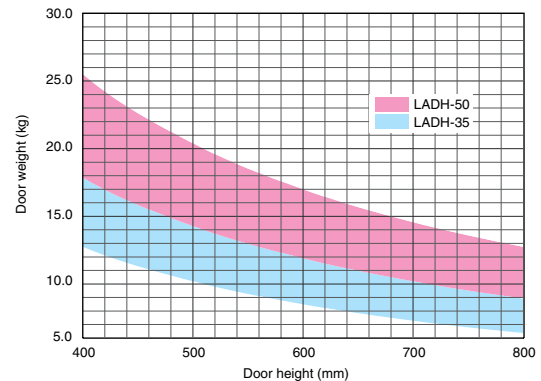
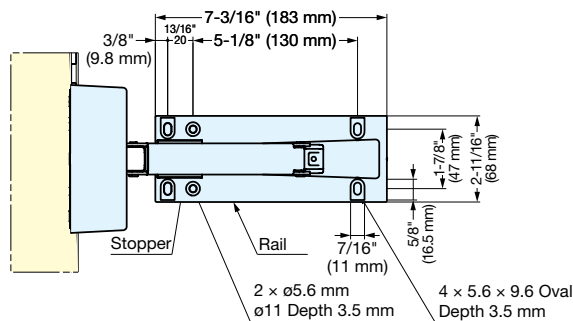
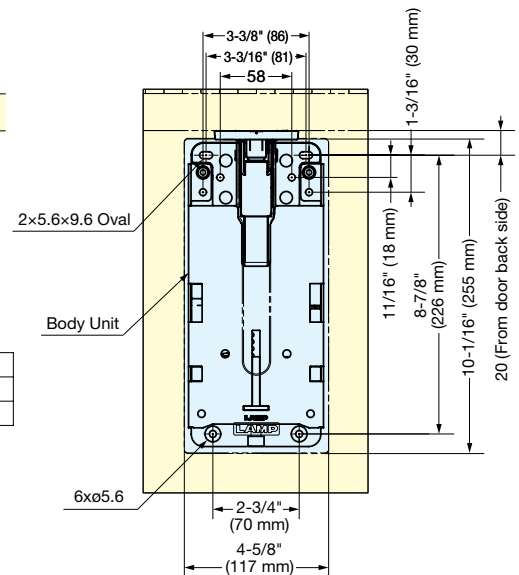
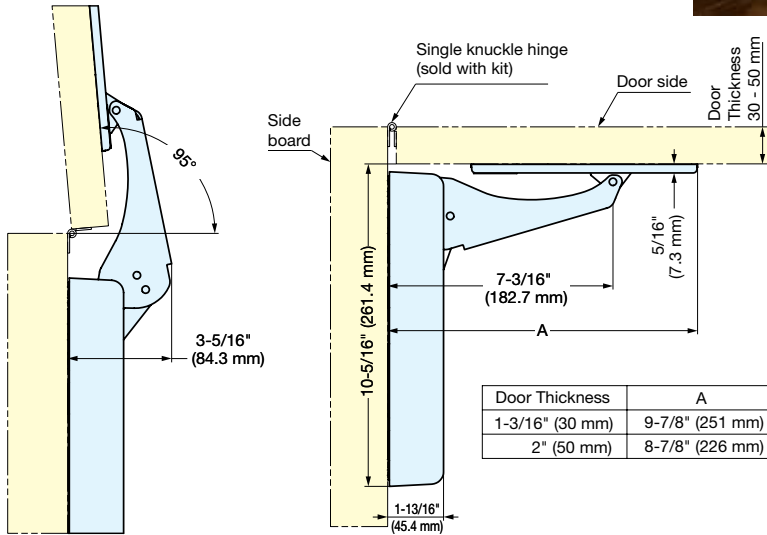
LIFT-ASSIST DAMPER (Heavy Duty)

LID SUPPORTS

LIFT ASSIST DAMPERS (W/ANGLE STOPPER)



- Add a smooth soft-close to counter tops in restaurants, bars and reception desks to prevent slamming.
- Lift-Assist feature helps users lift countertop
- Holds door open at 95 degrees.
- Easy installation - surface mounted and can be retrofitted
- Stainless steel piano hinge included (see next page for details)



Item No.	Max. Torque per piece	Panel Thickness	Weight (g)	Box (pcs)	Material	Finish
LADH-35	221 ~ 309 lbs-in (254 ~ 356 kg-cm)	30~50 mm (1-3/16"~2")	2,000	1	Steel (SPCC)/ Polyacetal (POM)/ABS	Arm: Nickel Chrome Body: Dark Brown/ White Other Parts: Nickel Plating
LADH-35WT						
LADH-50	309 ~ 442 lbs-in (356 ~ 509 kg-cm)					
LADH-50WT						

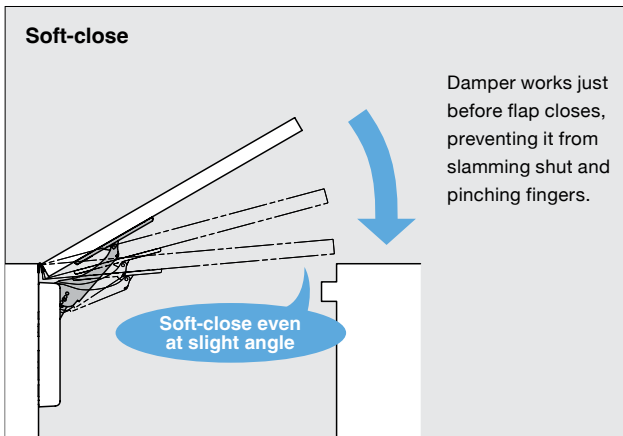
LIFT-ASSIST DAMPER (Heavy Duty)



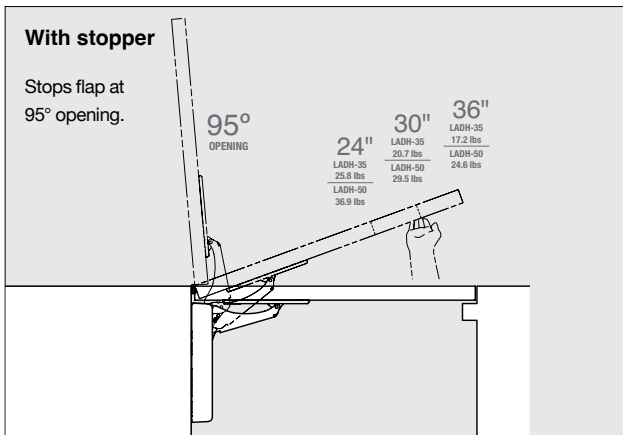
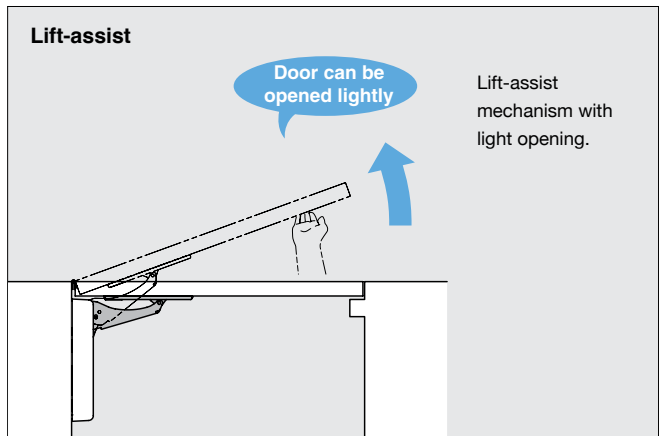
LADH

LID SUPPORTS

LIFT ASSIST DAMPERS (W/ANGLE STOPPER)

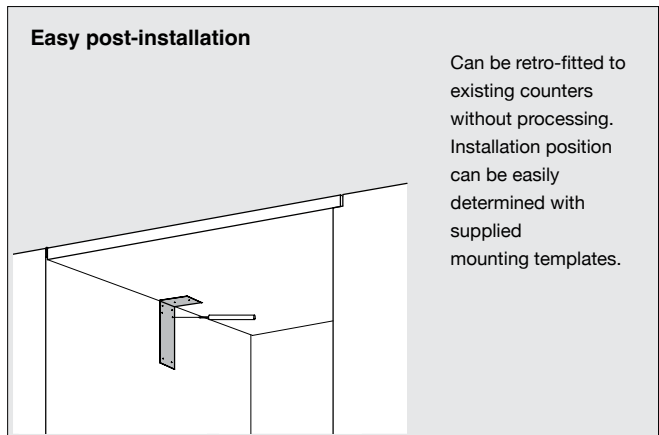


Damper works just before flap closes, preventing it from slamming shut and pinching fingers.



With stopper

Stops flap at 95° opening.



Easy post-installation

Can be retro-fitted to existing counters without processing. Installation position can be easily determined with supplied mounting templates.

STAINLESS STEEL PIANO HINGE for LADH



LSN-C



- Recommended use with LADH Lift Assist Damper
- Please note this product is designed for use on wood. Hole positioning on wood should be done by aligning the actual hinge. This product is not suitable for sheet metal or installations with hole pitch limitations.
- Included as part of the LADH Heavy Duty Lift Assist Damper set.
- Hinge can be cut down to shorter desired length.

Item No.	Weight (g)	Material	Finish
LSN15-38-600C	300	Stainless Steel	Polished

Other sizes available

