

# LIFT ASSIST DAMPER



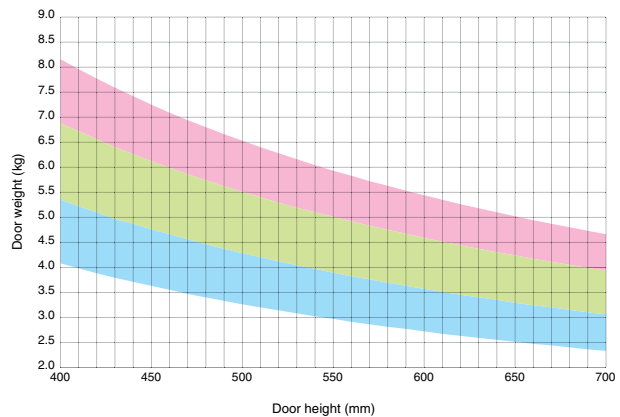
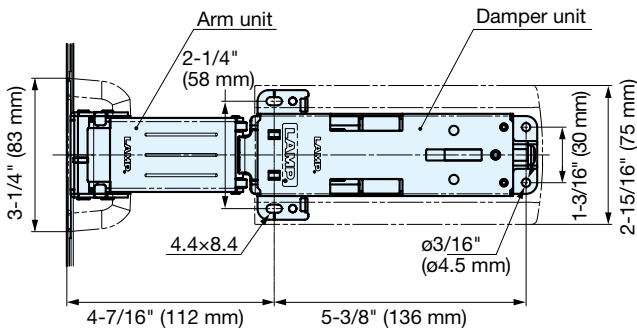
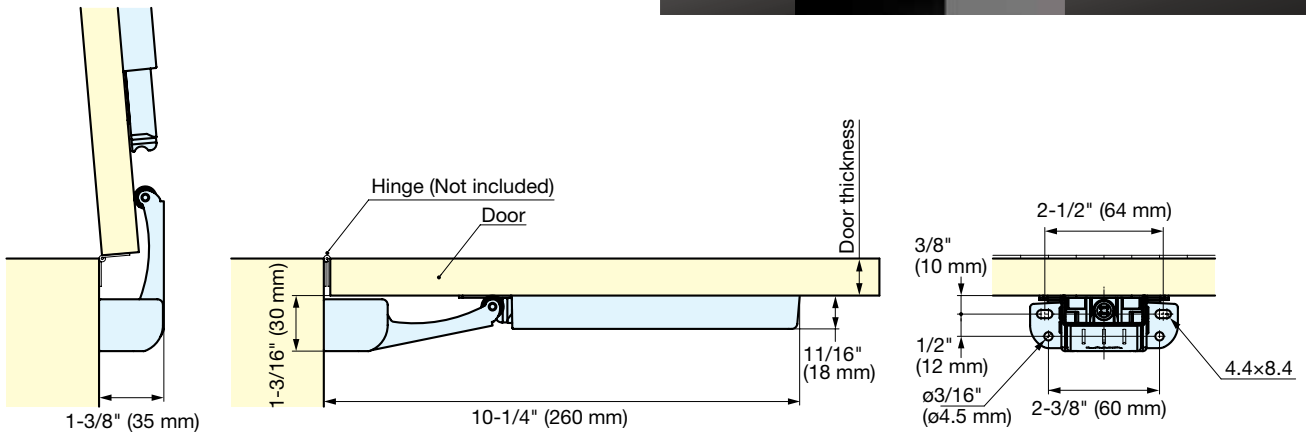
LAD

LID SUPPORTS

LIFT ASSIST DAMPERS



- Ideal for bar and countertop applications.
- Damper equipped for soft closing.
- Lift-Assist creates light opening.
- Simple surface mount installation.
- Slim arm keeps walkways clear with a minimal footprint.
- Brackets, spacers and mounting plate accessories available (sold separately).
- Supports two-pair configurations for doubled torque.



Door Size Ranges:  
1 pc Use (\*2 pcs use possible. Torque moment becomes double.)

Item No.	Max. Torque per piece	Panel Thickness	Weight (g)	Carton (pcs)	Material	Finish
LAD-L	70.1 ~ 93.1 lbs-in (81.6~107.1 kgf-cm)	9/16"~1" (15~25 mm)	750	20	ABS/ Polyacetal (POM)/ Steel	Nickel Chrome
LAD-M	93.1~119.7 lbs-in (107.1~137.7 kgf-cm)					
LAD-H	119.7~141.9 lbs-in (137.7~163.2 kgf-cm)					