

# LIFT ASSIST DAMPER (W/ANGLE STOPPER)

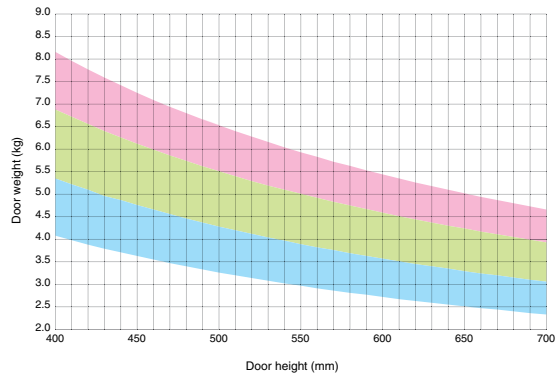
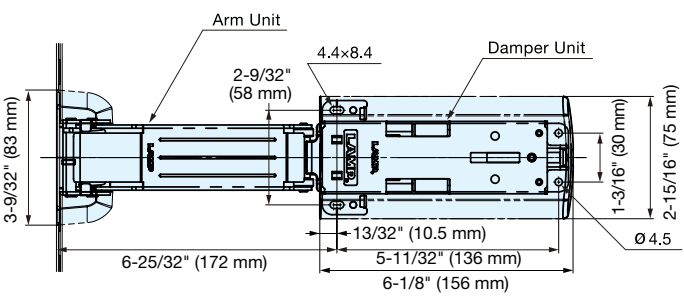
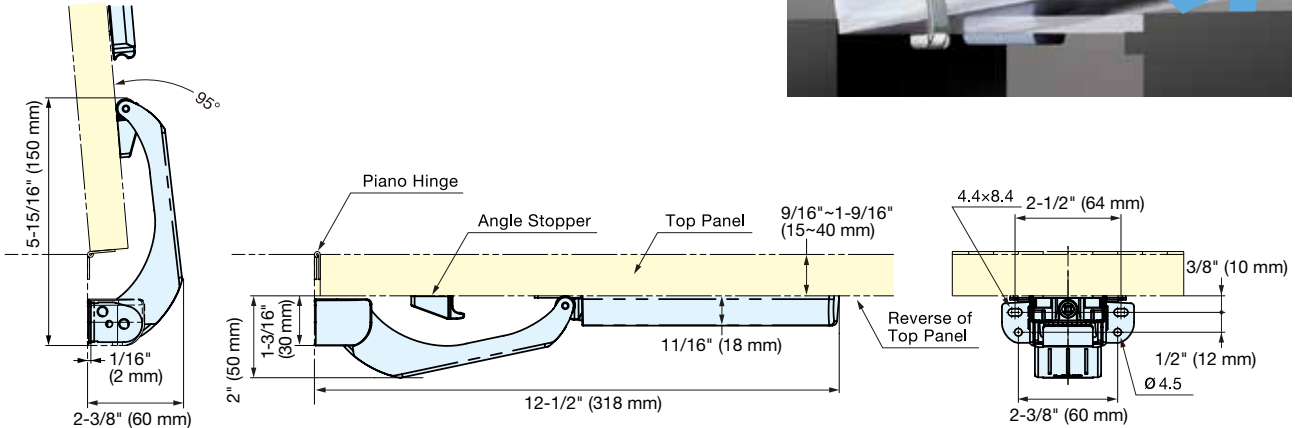
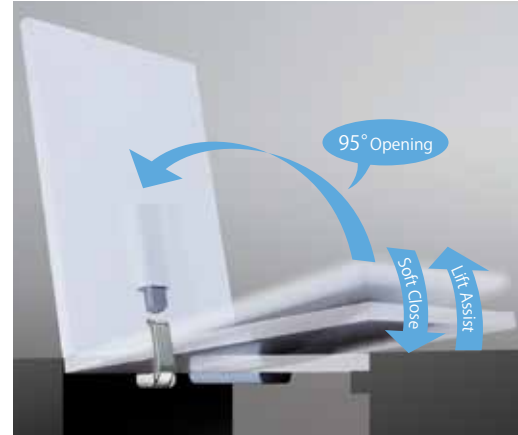


## LAD-ST

LID SUPPORTS

LIFT ASSIST DAMPERS (W/ANGLE STOPPER)

- Ideal for bar and countertop applications.
- Angle stopper designed to hold open at 95°.
- Damper equipped for soft closing.
- Simple surface mount installation.
- Brackets, spacers and mounting plate accessories available (sold separately)



Item No.	Max. Torque per piece	Panel Thickness	Weight (g)	Carton (pcs)	Material	Finish
LAD-ST-L	70.1 ~ 93.1 lbs-in (81.6~107.1 kgf-cm)	9/16"~1-9/16" (15~40 mm)	750	1	ABS/Polyacetal/ Steel/Zinc Alloy	Off White/ Chrome/ Nickel
LAD-ST-M	93.1~119.7 lbs-in (107.1~137.7 kgf-cm)					
LAD-ST-H	119.7~141.9 lbs-in (137.7~163.2 kgf-cm)					