

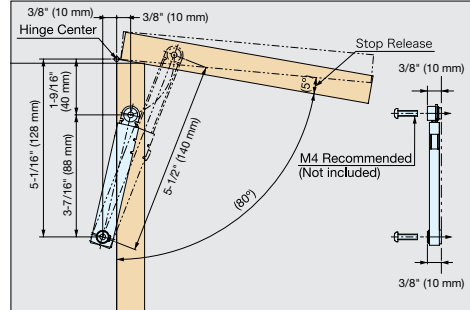
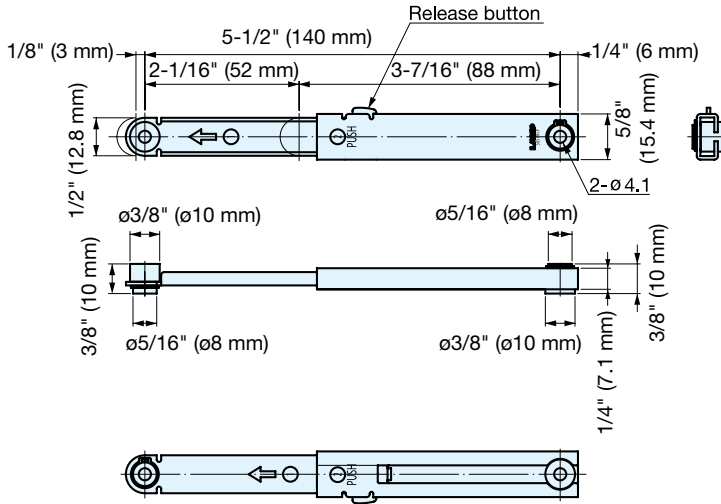
MINI LID STAY (W/LOCK)



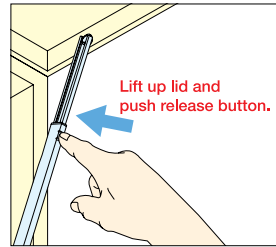
L-SL140



- Automatically locks lid/panel when fully opened.
- Push button to release.
- Can be installed individually or in pairs.
- Non-Handed : Can be installed on left or right side.
- Mounting brackets (L-SL140-BT) available separately.



*Lid stay must be installed parallel to the sidewall.



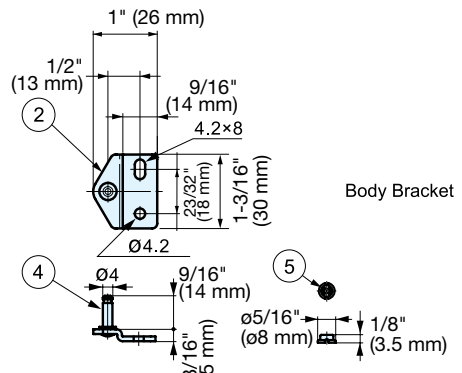
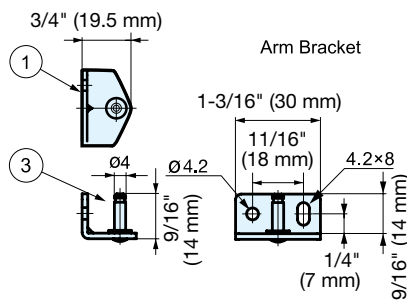
Item No.	Load Capacity	Weight (g)	Box (pcs)	Carton (pcs)	Material	Finish
L-SL140	33 lbs (15 kg)	40	30	300	304 Stainless Steel	Polished

MOUNTING BRACKET



L-SL140-BT

- Optional brackets for L-SL140 stay.
- Insert the retainer and bracket firmly into the stay.
- * Do not re-use the bracket. Retainer may become loose once taken off from stay



No.	Part Name	Material	Finish
①	Arm Bracket	304 Stainless Steel	Polished
②	Body Bracket		
③	Arm Bracket Pin	303 Stainless Steel	Plain
④	Body Bracket Pin		
⑤	Retainer	Polyacetal	Black

Item No.	Weight (g)	Box (pcs)	Carton (pcs)
L-SL140-BT	28	30	300