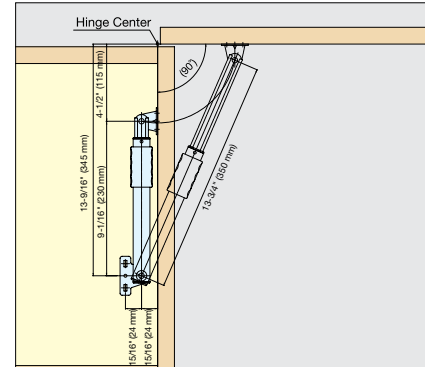
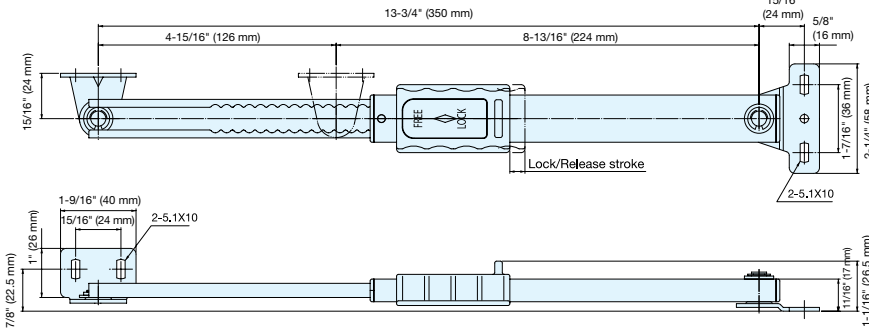


MULTI-ANGLE LID STAY (W/LOCK)



L-FS350A

- Locks lid in multiple positions by manually sliding lock lever.
- Slide back lever to lock/unlock.
- Ideal for vibration or shock applications.
- Can be installed individually or in pairs.
- Non-Handed: Can be installed on left or right side.



Item No.	Load Capacity	Weight (g)	Box (pcs)	Carton (pcs)
L-FS350A	55 lbs (25 kg)	325	5	50

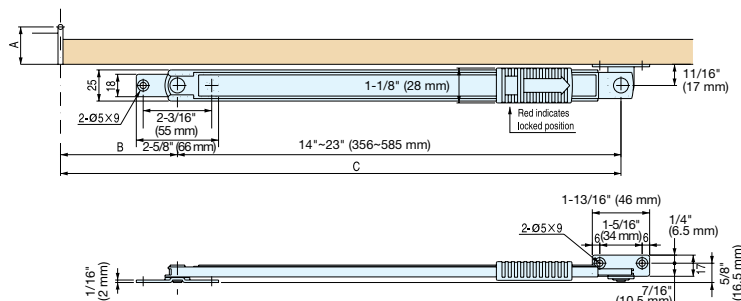
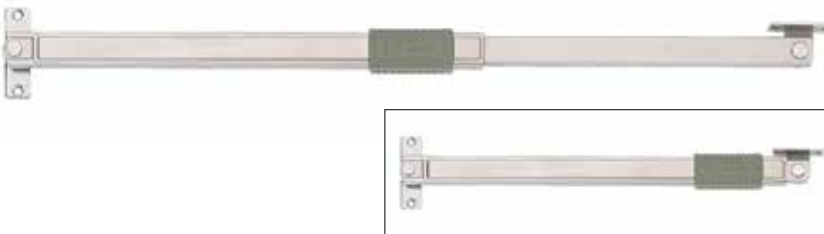
Material	Finish/Color
304 Stainless Steel	Satin
Polycetal	Dark Grey

MULTI-ANGLE LID STAY



U-3005

- Locks lid in multiple positions by manually sliding lock lever.
- Slide back lever to lock/unlock.
- Ideal for vibration or shock applications.
- Can be installed individually or in pairs.
- Non-Handed : Can be installed on left or right side.
- Door opening angle: 100° maximum
- Recommended door size
Max. Height - 78-3/4" (2,000 mm)
Width - 23-5/8"~35-13/16" (600~910 mm)
Thickness - 1"~1-3/4" (25~45 mm)
- Max. Weight - 44 lbs (20 kg)



A, B and C dimensions are for 90° door opening angle.

	A	B	C		
A	1-3/16" (30 mm)	1-3/8" (35 mm)	1-9/16" (40 mm)	1-3/4" (45 mm)	2" (50 mm)
B	6-5/16" (160 mm)	6-5/16" (160 mm)	6-5/16" (160 mm)	6-5/16" (160 mm)	6-1/8" (155 mm)
C	20-11/16" (525 mm)	20-1/2" (520 mm)	20-1/4" (515 mm)	20-1/16" (510 mm)	19-7/8" (505 mm)

Item No.	Weight (g)	Box (pcs)	Carton (pcs)
U-3005	338	6	60

Material	Finish/Color
304 Stainless Steel	Satin
Polycetal	-