

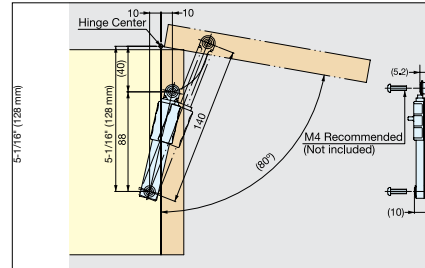
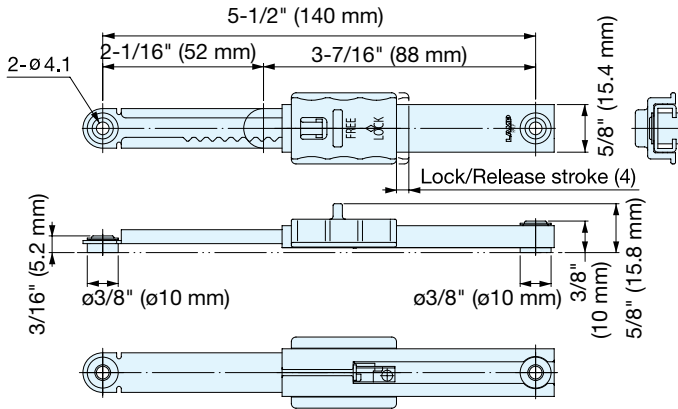
# MINI LID STAY (w/LOCK)



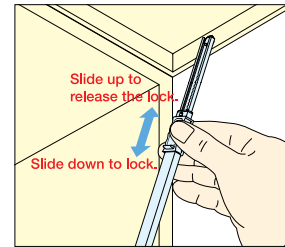
# L-FS140



- Locks lid/panel in multiple positions by manually sliding lock lever.
- Slide lever to lock/unlock.
- Can be installed individually or in pairs.
- Non-Handed : Can be installed on left or right side.
- Mounting brackets (L-FS140-BT) available separately.



\*Lid stay must be installed parallel to the sidewall.



Item No.	Load Capacity (kg)	Weight (g)	Box (pcs)	Carton (pcs)
L-FS140	6 ( 13.2 lbs )	50	20	200

Material	Finish
304 Stainless Steel	Polished
Polycetal	Dark Grey

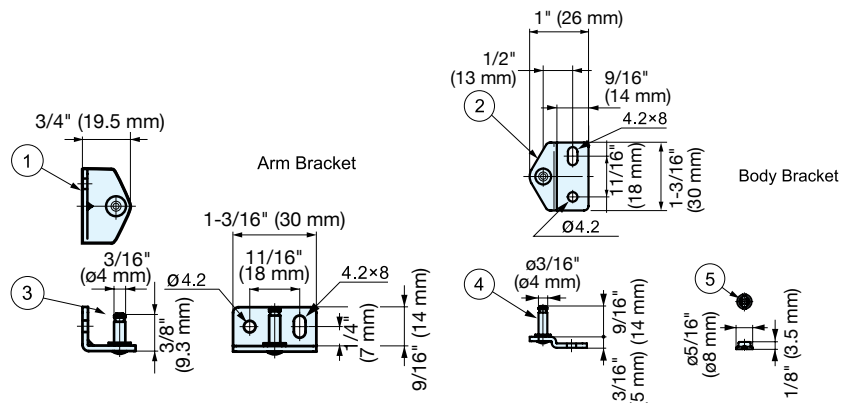
# MOUNTING BRACKET



# L-FS140-BT



- Optional brackets for L-FS140 stay.
- Insert the retainer and bracket firmly into the stay.
- \* Do not re-use the bracket. Retainer may become loose once taken off from stay



Item No.	Weight (g)	Box (pcs)	Carton (pcs)
L-FS140-BT	27	40	400

No.	Part Name	Material	Finish
①	Arm Bracket	304 Stainless Steel	Polished
②	Body Bracket		
③	Arm Bracket Pin	303 Stainless Steel	Plain
④	Body Bracket Pin		
⑤	Retainer	Polycetal	Black