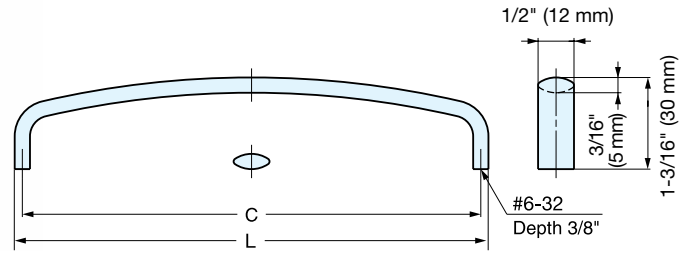


HANDLE



KC-R

• Ideal for harsh and high corrosive environments.



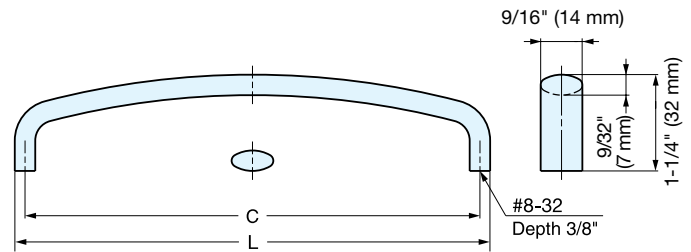
Item No.	L	C	Weight (g)	Box (pcs)	Carton (pcs)
KC-R635/M KC-R635/S	3-11/16" (93.9 mm)	3-1/2" (88.9 mm)	60	20	200
KC-R640/M KC-R640/S	4-3/16" (106.6 mm)	4" (101.6 mm)	67		
KC-R650/M KC-R650/S	5-3/16" (132 mm)	5" (127 mm)	78		
KC-R660/M KC-R660/S	6-3/16" (157.4 mm)	6" (152.4 mm)	88		

Material	Finish
316 Stainless Steel	Mirror (M) Satin (S)

HANDLE



EK-R



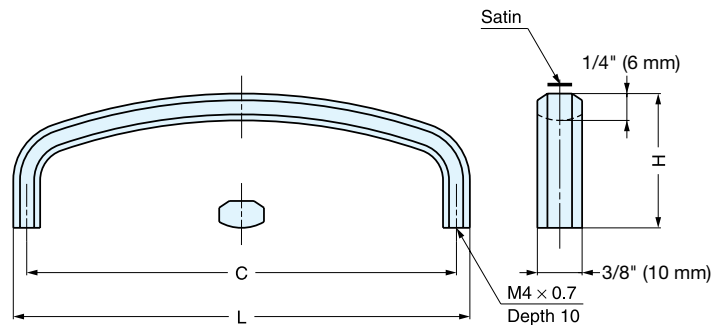
Item No.	L	C	Weight (g)	Box (pcs)	Carton (pcs)
EK-R635/M EK-R635/S	3-3/4" (95.9 mm)	3-1/2" (88.9 mm)	95	20	200
EK-R640/M EK-R640/S	4-1/4" (108.6 mm)	4" (101.6 mm)	109		
EK-R650/M EK-R650/S	5-1/4" (134 mm)	5" (127 mm)	123		
EK-R660/M EK-R660/S	6-1/4" (159.4 mm)	6" (152.4 mm)	141		

Material	Finish
316 Stainless Steel	Mirror (M) Satin (S)

HANDLE



XL-JSR



Item No.	L	C	H	Weight (g)	Box (pcs)	Carton (pcs)
XL-JSR40TT	1-1/2" (38 mm)	1-1/4" (32 mm)	1-1/16" (27 mm)	26	30	300
XL-JSR70TT	2-3/4" (70 mm)	2-1/2" (64 mm)	1-3/16" (30 mm)	35	20	200
XL-JSR100TT	4" (102 mm)	3-3/4" (96 mm)		51		
XL-JSR135TT	5-1/4" (134 mm)	5-1/16" (128 mm)		63		

Material	Finish
316 Stainless Steel	Mirror and Satin Combination