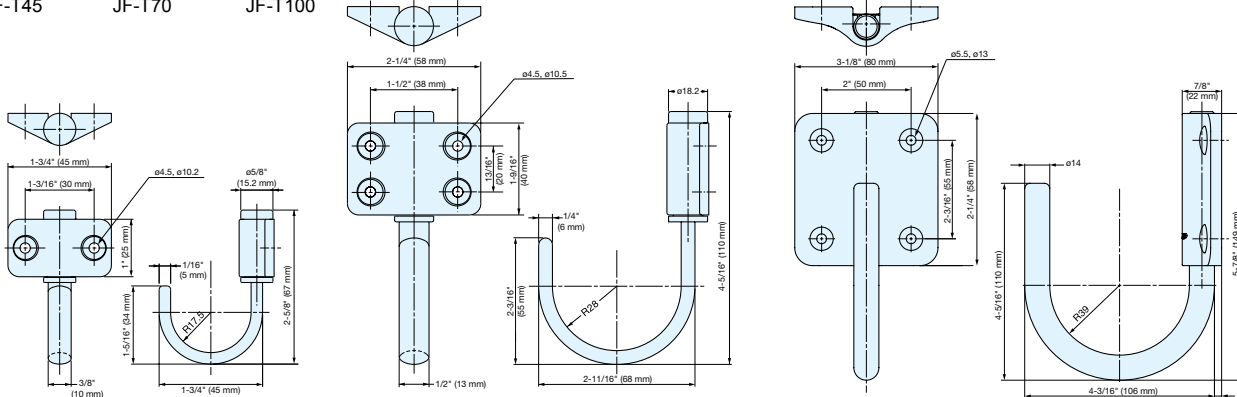
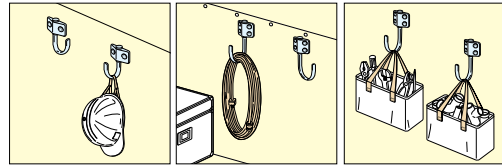


SWING HOOK (W/FRICTION)


JF-T

JF-T45
JF-T70
JF-T100

- Swivels 180 degrees.
- Hook has constant torque when swiveling.
- Ideal for vibration or shock applications.



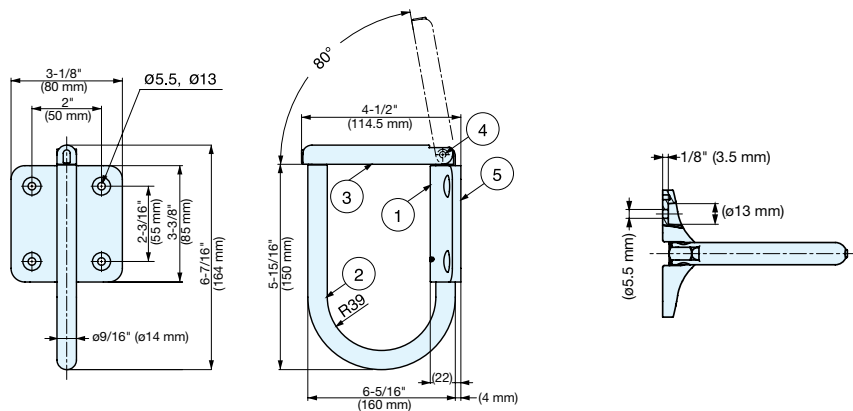
Item No.	Load Capacity (kg)	Weight (g)	Box (pcs)	Carton (pcs)
JF-T45	37 lbs (17 kg)	90	10	100
JF-T70		225		
JF-T100	88 lbs (40 kg)	638	5	20

Material	Finish
304 Stainless Steel	Mirror

LARGE SWING LATCH HOOK (W/FRICTION)


JN-T100


- Swivels 180 degrees.
- Hook has constant torque when swinging.
- Ideal for vibration or shock applications.



Item No.	Load Capacity	Weight (g)	Box (pcs)	Carton (pcs)
JN-T100	88 lbs (40 kg)	780	5	20

No.	Part Name	Material	Finish
①	Strike	304 Stainless Steel	Mirror
②	Hook	303 Stainless Steel	
③	Arm	304 Stainless Steel	
④	Shaft	303 Stainless Steel	Plain
⑤	Back Plate	304 Stainless Steel	