

DOUBLE ACTION SPRING HINGE

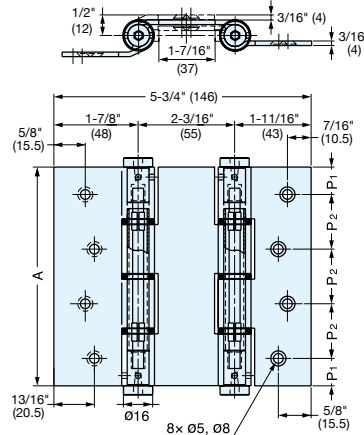


JDAW

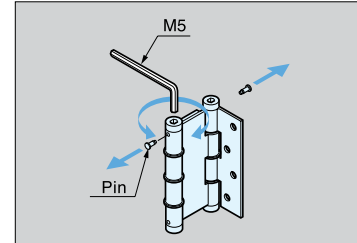
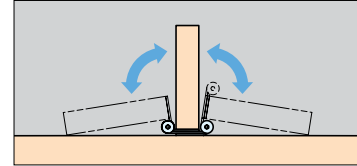
HINGES



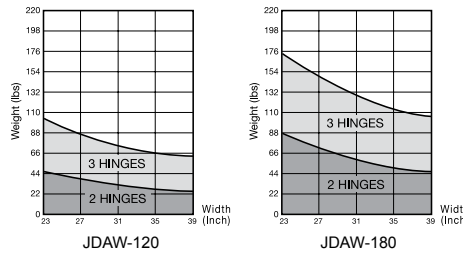
JDAW-120-35A



- Spring loaded for self closing.
- Adjustable spring tension.
- Requires 8 #8 flathead countersunk screws, 3/4" or longer. (not included)



Spring Adjustment



Item No.	A	P ₁	P ₂	Door Thickness	Weight (g)	Box (pcs)	Carton (pcs)	Material	Finish
JDAW-120-35A	4-3/4" (120)	9/16" (15)	1-3/16 (30)	1-3/8" (35 mm)	350	2	20	Aluminum	Anodized
JDAW-180-35A	7-1/16" (180)	7/8" (22.5)	1-3/4 (45)						

DOUBLE ACTION SPRING HINGES

OTHER SPRING HINGES FOR SMALL DOORS AND CABINETRY



HG-SH P. 225



HG-SHL P. 225



HG-PV60AC P. 227



HG-BF3 P. 227