

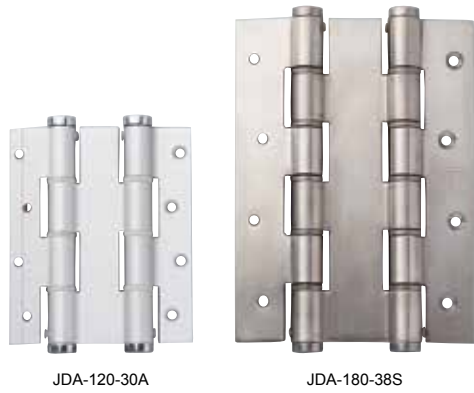
# DOUBLE ACTION SPRING HINGE



# JDA

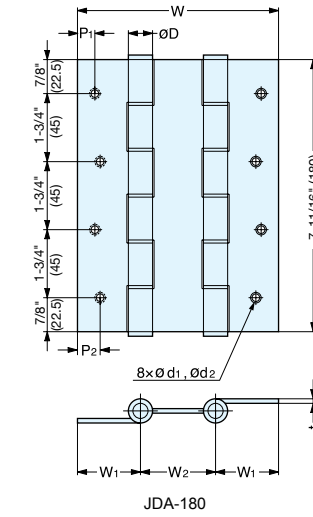
HINGES

DOUBLE ACTION SPRING HINGES

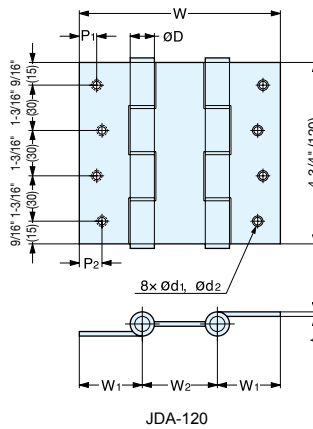


JDA-120-30A

JDA-180-38S

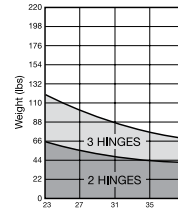


JDA-180

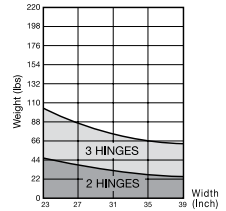


JDA-120

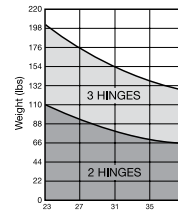
- Spring loaded for self closing.
- Adjustable spring tension.
- Successfully passed 500,000 open/close private cycle tests.



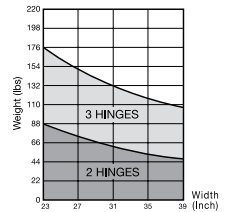
JDA-120-30A



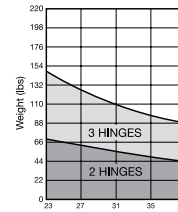
JDA-120-40A  
JDA-120-36S



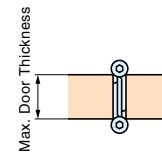
JDA-180-30A



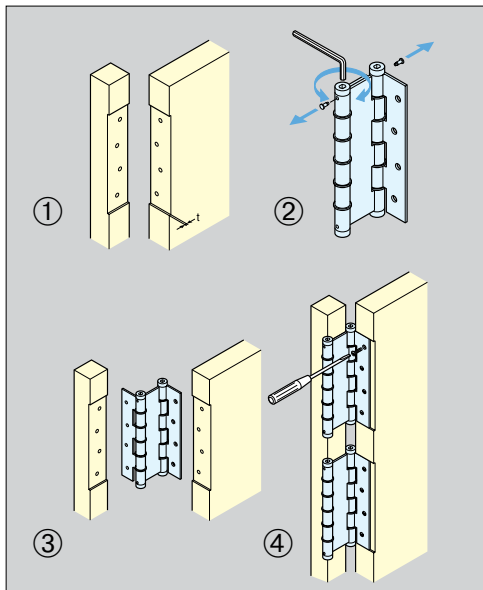
JDA-180-40A  
JDA-180-38S



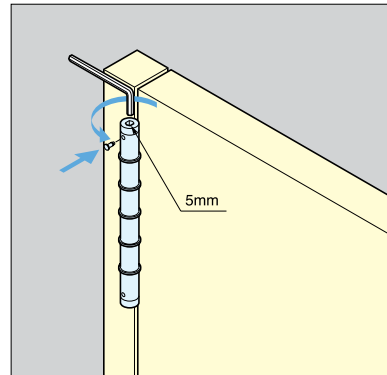
JDA-180-50A



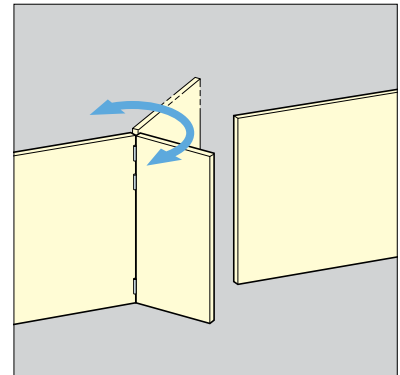
### Installation



### Adjustable Spring Tension



### Double Action Spring Hinges



Item No.	W	W <sub>1</sub>	W <sub>2</sub>	P <sub>1</sub>	P <sub>2</sub>	D	t	d <sub>1</sub>	d <sub>2</sub>	Max. Door Thickness	Weight (g)	Material	Finish	Box (pcs)	Carton (pcs)
JDA-120-30A	4" (101)	1-3/16" (29.5)	1-5/8" (42)	1/4" (6.5)	7/16" (11.5)	5/8" (16)	3/16" (4.0)	3/16" (5.0)	5/16" (8)	1-3/16" (30)	275	Aluminum	Anodized	2	20
JDA-120-40A	5-1/4" (133)	1-9/16" (40.0)	2-1/16" (53)	7/16" (11.0)	5/8" (16.0)					1-9/16" (40)	320				
JDA-180-30A	4" (101)	1-3/16" (29.5)	1-5/8" (42)	1/4" (6.5)	7/16" (11.5)					1-3/16" (30)	407				
JDA-180-40A	5-1/4" (133)	1-9/16" (40.0)	2-1/16" (53)	7/16" (11.0)	5/8" (16.0)					1-9/16" (40)	466				
JDA-180-50A	6-3/16" (157)	1-15/16" (48.5)	2-3/8" (60)	3/4" (19.5)	15/16" (24.5)					2" (50)	510				
JDA-120-36S	5-1/4" (133)	1-9/16" (40.0)	2-1/16" (53)	7/16" (11.0)	5/8" (16.0)	11/16" (17)	1/8" (2.5)	1/4" (5.5)	3/8" (9)	1-7/16" (36)	555	304 Stainless Steel	Satin		
JDA-180-38S						11/16" (18)	1/8" (3.0)			1-1/2" (38)	947				