

HEAVY DUTY CONCEALED HINGE (INSET)



J95-24/OT, J95-C24/OT

HINGES



Nickel (NI)

Black Nickel (BN)

Mounting Plate Covers - J95ZC (Sold Separately)



Grey (GR)

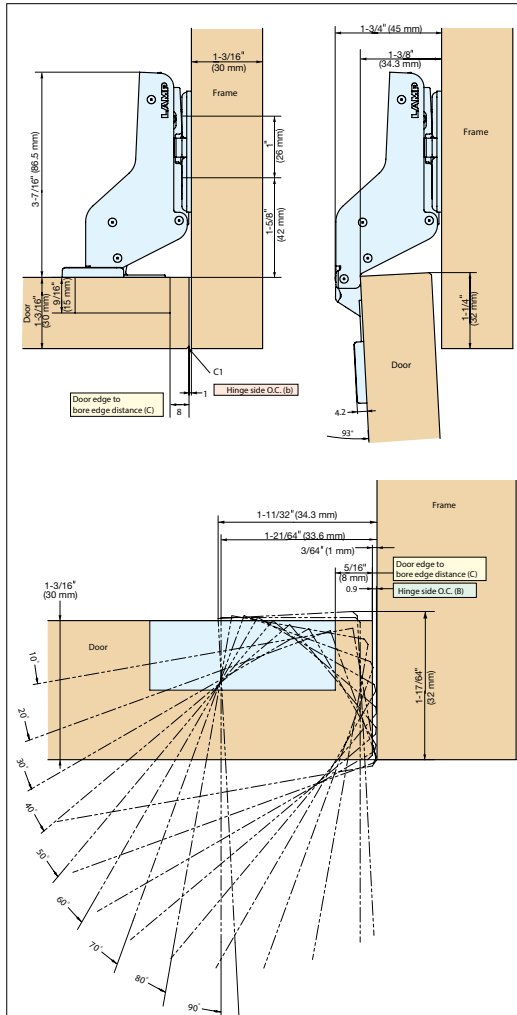
Nickel (NI)

Black Chrome (BC)

Safety Covers - J95SC-0 (Sold Separately)



Wood Door Application



■ Door edge to bore edge distance (C) and Overlay distance (E) Table 1.

Door edge to bore edge distance (C) in mm	3	4	5	6	7	8
Overlay distance (E) in mm	6	5	4	3	2	1

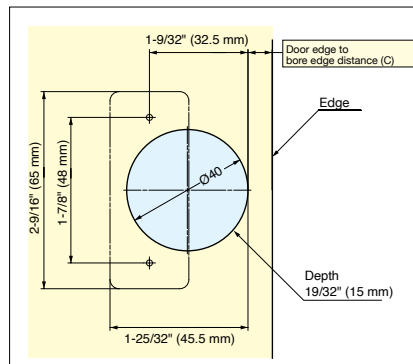
■ Hinge side opening clearance chart Table 2.

Door Thickness (D)*	Door edge to bore edge distance (C) in mm					
	3	4	5	6	7	8
11/16" (18)	0	0	0	0	0	0
13/16" (20)	0	0	0	0	0	0
7/8" (22)	0.1	0.1	0.1	0.1	0.1	0.1
15/16" (24)	0.1	0.1	0.1	0.1	0.1	0.1
1" (26)	0.3	0.3	0.3	0.3	0.3	0.3
1-1/8" (28)	1.7	1.1	0.6	0.5	0.5	0.5
1-3/16" (30)	3.5	2.9	2.3	1.8	1.0	0.9
1-1/4" (32)	5.4	4.7	4.1	3.6	3.0	2.5
1-5/16" (34)	7.3	6.0	6.0	5.4	4.8	4.3

Hinge side O.C. (B)

*If the door thickness is over 1-3/16" (30 mm) the door will need to be chamfered.

Bore Dimension



Item No.	Type	Weight (g)	Box (pcs)	Carton (pcs)	Finish
J95-24/OT-NI	Free Swing	148	10	50	Nickel (NI)
J95-C24/OT-NI	Self-Closing	160			
J95-24/OT-BN	Free Swing	148			
J95-C24/OT-BN	Self-Closing	160			

Part Name	Material
Cup	Zinc Alloy
Body	Steel

*Requires J95-P6T Mounting Plate (sold separately p.288).

HEAVY DUTY CONCEALED HINGE (INSET)

HEAVY DUTY CONCEALED HINGE (INSET)



J95-24/0T, J95-C24/0T



Nickel (NI)

Black Nickel (BN)

Mounting Plate Covers - J95ZC (Sold Separately)



Grey (GR)

Nickel (NI)

Black Chrome (BC)

Safety Covers - J95SC-0 (Sold Separately)



Glass Face Plate - GH-J95FP (Sold Separately)

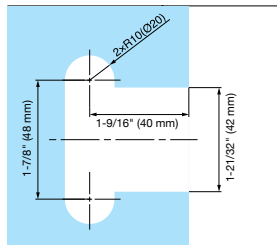
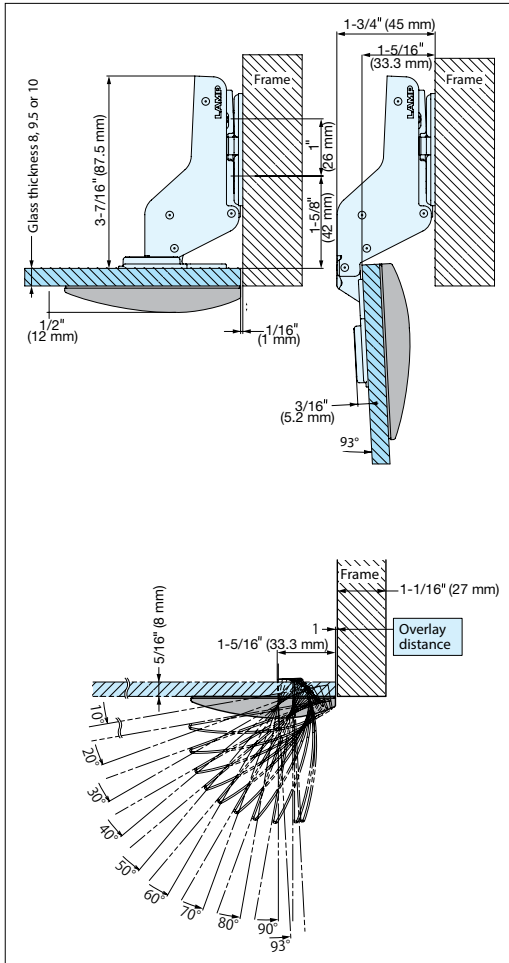


Chrome (CR)

Satin Nickel (SN)

Black (BI)

Glass Door Application

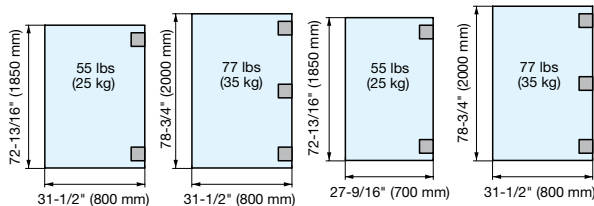


Hinge side opening clearance chart

Glass Thickness (D)	Hinge side O.C.
5/16" (8 mm)	0
3/8" (9.5 mm)	0
3/8" (10 mm)	0

■ Glass Thickness 5/16" (8 mm)

■ Glass Thickness 3/8" (10 mm)



Item No.	Type	Weight (g)	Box (pcs)	Carton (pcs)	Finish
J95-24/0T-NI	Free Swing	148	10	50	Nickel (NI)
J95-C24/0T-NI	Self-Closing	160			
J95-24/0T-BN	Free Swing	148			
J95-C24/0T-BN	Self-Closing	160			

Part Name	Material
Cup	Zinc Alloy
Body	Steel

*Requires J95-P6T Mounting Plate (sold separately p.288).