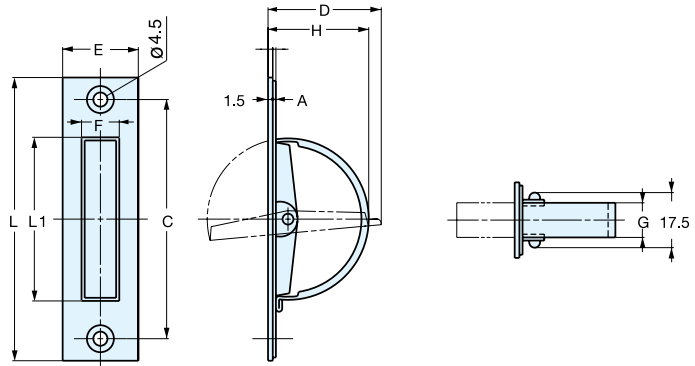


# HATCH PULL



HR



| Material            | Finish |
|---------------------|--------|
| 304 Stainless Steel | Satin  |

| Item No. | L                   | L <sub>1</sub>     | C                   | H                 | D                  | A                 | E                 | F                 | G                |
|----------|---------------------|--------------------|---------------------|-------------------|--------------------|-------------------|-------------------|-------------------|------------------|
| HR-90    | 3-9/16"<br>(90 mm)  | 2-1/16"<br>(52 mm) | 3"<br>(76 mm)       | 1-1/4"<br>(32 mm) | 1-7/16"<br>(36 mm) | 1/16"<br>(1 mm)   | 15/16"<br>(24 mm) | 1/2"<br>(12 mm)   | 7/16"<br>(11 mm) |
| HR-110   | 4-5/16"<br>(110 mm) | 2-1/2"<br>(64 mm)  | 3-11/16"<br>(94 mm) | 1-1/2"<br>(38 mm) | 1-5/8"<br>(42 mm)  |                   |                   |                   |                  |
| HR-135   | 5-5/16"<br>(135 mm) | 3-9/16"<br>(90 mm) | 4-1/2"<br>(115 mm)  | 2"<br>(50 mm)     | 2-3/16"<br>(55 mm) | 1/16"<br>(1.2 mm) | 1"<br>(25 mm)     | 1/2"<br>(12.2 mm) | 1/2"<br>(12 mm)  |

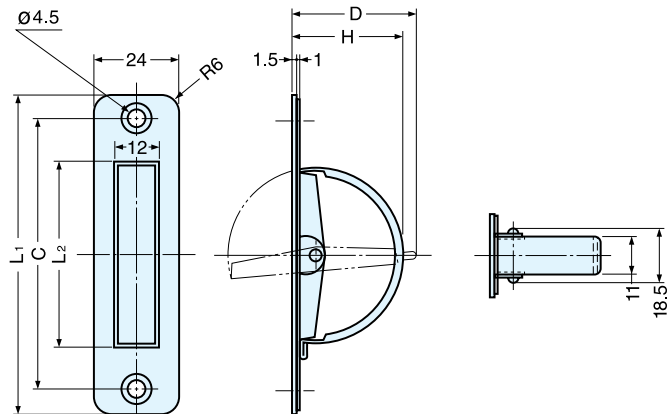
  

| Item No. | Load Capacity     | Weight (g) | Box (pcs) | Carton (pcs) | Screw    |
|----------|-------------------|------------|-----------|--------------|----------|
| HR-90    | 28 lbs (13 kg)    | 49         | 30        | 300          | 3.5 × 22 |
| HR-110   | 22 lbs (10 kg)    | 59         | 20        | 200          |          |
| HR-135   | 16.5 lbs (7.5 kg) | 88         | 15        | 150          | 3.5 × 25 |

# HATCH PULL



HR-R



| Material            | Finish |
|---------------------|--------|
| 304 Stainless Steel | Satin  |

| Item No. | L <sub>1</sub>      | L <sub>2</sub>     | C                   | H                 | D                  | Load Capacity  | Weight (g) | Box (pcs) | Carton (pcs) |
|----------|---------------------|--------------------|---------------------|-------------------|--------------------|----------------|------------|-----------|--------------|
| HR-90R   | 3-9/16"<br>(90 mm)  | 2-1/16"<br>(52 mm) | 3"<br>(76 mm)       | 1-1/4"<br>(32 mm) | 1-7/16"<br>(36 mm) | 28 lbs (13 kg) | 46         | 30        | 300          |
| HR-110R  | 4-5/16"<br>(110 mm) | 2-1/2"<br>(64 mm)  | 3-11/16"<br>(94 mm) | 1-1/2"<br>(38 mm) | 1-5/8"<br>(42 mm)  | 22 lbs (10 kg) | 55         | 20        | 200          |