

LEVER BOLT

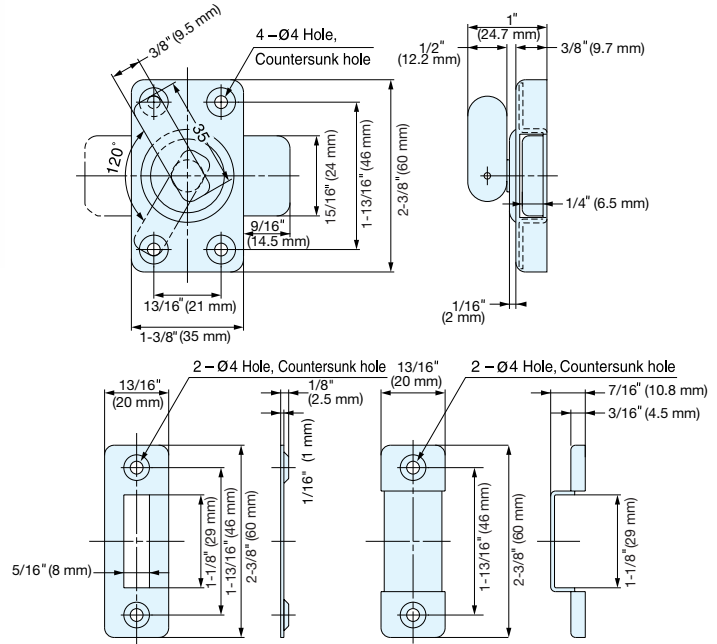


HR-35

- Large lever allows easy operation.
- Supplied with mortise and surface strike.



HR35SP-B
(2 mm Spacer: Sold separately)



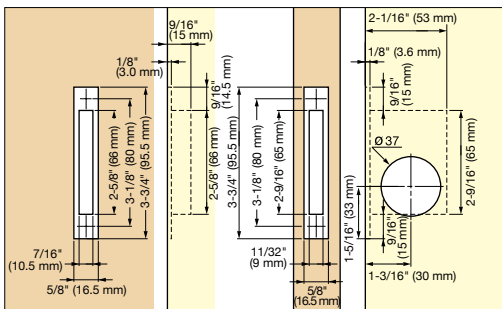
Item No.	Weight (g)	Box (pcs)	Carton (pcs)
HR-35	108	10	100

SLIDING DOOR LATCH

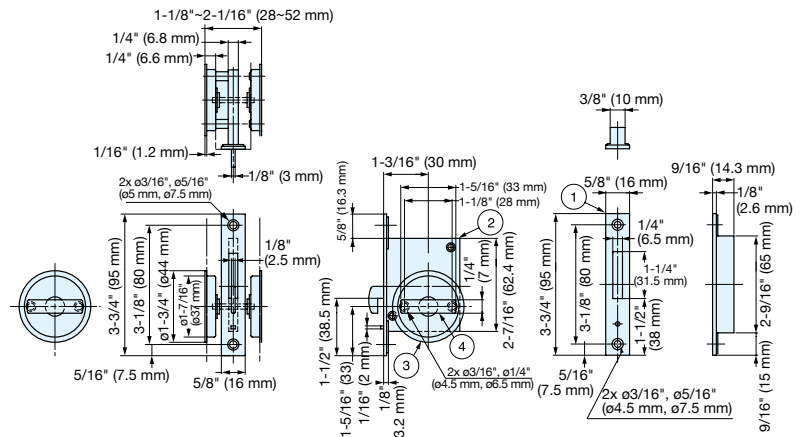


HC-30R

- Sliding door latch for thick doors 1-1/8"~2" (28-52 mm).
- Thumbturn on both sides for easy access.
- Slim design suitable for various applications.
- Non-Handed.
- For sliding doors only.
- Includes screws.



Bore Dimensions



No.	Parts Name	Material	Finish
①	Front Plate	304 Stainless Steel	Satin
②	Body	Steel	-
③	Thumbturn	304 Stainless Steel	Satin
④	Knob	Zinc Alloy	Chrome

Item No.	Weight (g)	Box (pcs)	Carton (pcs)
HC-30R	283	5	50