

STAINLESS STEEL HASP



HP-635S, 645S, 660S

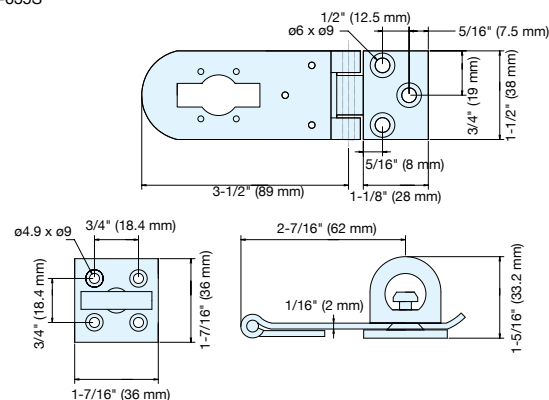


HP-635S

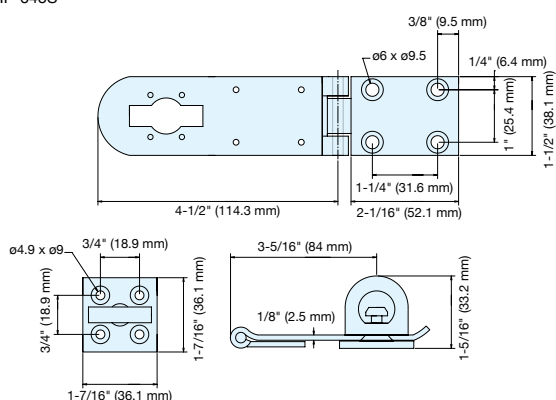
HP-645S

HP-660S

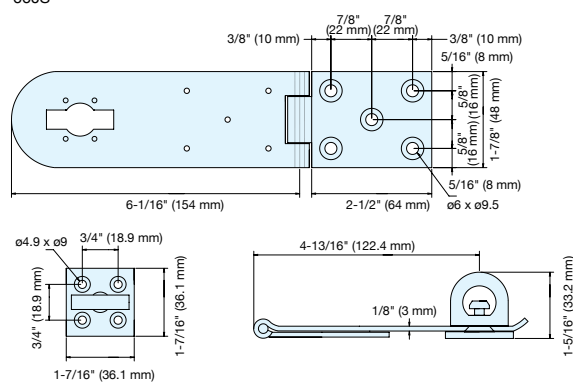
HP-635S



HP-645S



HP-660S



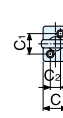
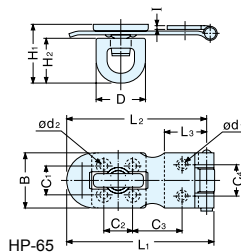
Item No.	Weight (g)	Box (pcs)	Carton (pcs)
HP-635S	130	20	200
HP-645S	184		160
HP-660S	302	10	100

No	Part Name	Material	Finish
1	Hinge Leaf Top	316 Stainless Steel	Electro Polished
2	Hinge Leaf Bottom		
3	Base		
4	Knob		
5	Rivet/Shaft	304 Stainless Steel	
6	Hinge Pin		
7	Spring		

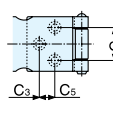
STAINLESS STEEL HASP



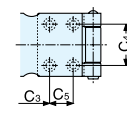
HP



HP-40/50 Rotating eye



HP-75/100 Mounting Plate



HP-120 Mounting Plate

Material	Finish
304 Stainless Steel	Polished

Item No.	L ₁	L ₂	L ₃	B	C ₁	C ₂	C ₃	C ₄	C ₅	H ₁	H ₂	C	D	I	d ₁	d ₂	Weight (g)	Box (pcs)	Carton (pcs)
HP-40	3-15/16" (100)	1-7/16" (37)	1/2" (13)	7/8" (22)		1/4" (6.4)	7/16" (10.8)			7/8" (22.0)	11/16" (17.9)	5/8" (15.3)	11/16" (17.7)	1/16" (1.2)	1/8" (3.0)	1/8" (3.0)	21.5	30	300
HP-50	2" (50)	1-7/8" (47)		7/8" (22.3)	1/2" (13)	3/8" (9.0)	5/8" (16.0)	1/2" (12)				3/4" (18.3)					24.0	25	250
HP-65	2-9/16" (65)	2-7/16" (62)	3/4" (19)	15/16" (24)		1/2" (13.0)	7/8" (21.5)	9/16" (14)		15/16" (24.5)	13/16" (20.4)	15/16" (24.5)	7/8" (22.5)	1/16" (1.5)	1/8" (3.2)	1/8" (3.2)	41.5	20	200
HP-75	2-15/16" (75)	2-13/16" (72)	1" (24.8)	1-1/16" (27.5)	9/16" (15)	9/16" (15.0)	5/8" (15.7)	5/8" (16)	3/8" (9.5)	1-1/16" (27.4)	7/8" (22.0)	1-1/16" (27.8)	15/16" (23.2)	1/16" (2.0)	1/8" (3.8)	1/8" (3.8)	51.5	15	150
HP-100	3-15/16" (100)	3-3/4" (95)	1-3/16" (30)	1-3/8" (35.5)	3/4" (19)	3/4" (19.0)	1-1/8" (29)	13/16" (21)	3/8" (10)	1-1/4" (32.2)				1/16" (2.5)	3/16" (4.5)	3/16" (4.5)	118.5	10	100
HP-120	4-3/4" (120)	4-1/2" (115)	1-3/8" (35.5)	1-9/16" (40)	13/16" (21)	7/8" (22.0)	1-1/2" (38)	1" (26)	9/16" (15)	1-3/8" (34.8)	1-1/8" (27.9)		1-1/4" (31.0)		3/16" (5.2)	3/16" (5.2)	172.0	8	80