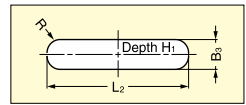
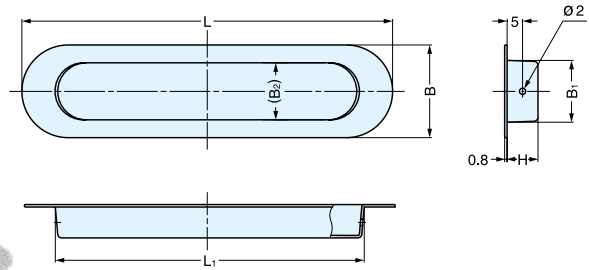


RECESSED PULL



HN

- Ideal for sliding doors.
- Affix with glue or tack.



Bore Dimensions

Material	Finish
304 Stainless Steel	Satin

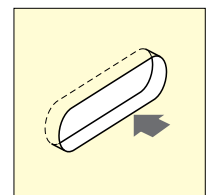
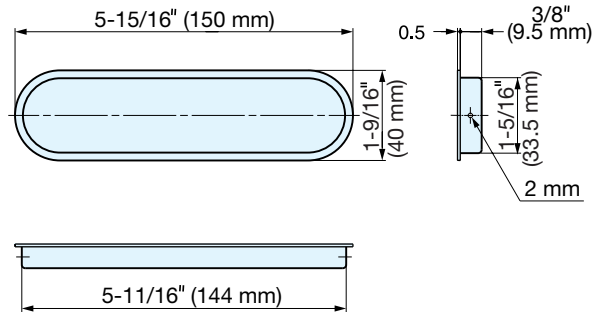
Item No.	L	L ₁	H	B	B ₁	B ₂	L ₂	B ₃	H ₁	Weight (g)	Box (pcs)	Carton (pcs)
HN-120SH	4-3/4" (120 mm)	3-15/16" (100 mm)	3/8" (10 mm)	1-3/16" (30 mm)	13/16" (20 mm)	3/4" (18.5 mm)	3-15/16" (100.5 mm)	13/16" (20.5 mm)	7/16" (10.5 mm)	19	50	500
HN-150SH	5-15/16" (150 mm)	5-1/8" (130 mm)	1/2" (12 mm)	1-3/8" (35 mm)	1" (26 mm)	15/16" (24.5 mm)	5-1/8" (130.5 mm)	1-1/16" (26.5 mm)	1/2" (12.5 mm)	27	20	200
HN-200SH	7-7/8" (200 mm)	6-11/16" (170 mm)	1/2" (13.2)	2" (50 mm)	1-7/16" (36 mm)	1-3/8" (34.5 mm)	6-11/16" (170.5 mm)	1-7/16" (36.5 mm)	9/16" (13.7 mm)	50	10	100
HN-250SH	9-13/16" (250 mm)	8-11/16" (220 mm)					8-11/16" (220.5 mm)					

RECESSED PULL



OP-150

- Ideal for sliding doors.
- Affix with glue or tack.



Installation

Item No.	Weight (g)	Box (pcs)	Carton (pcs)	Material	Finish
OP-150	30	30	720	304 Stainless Steel	Satin