

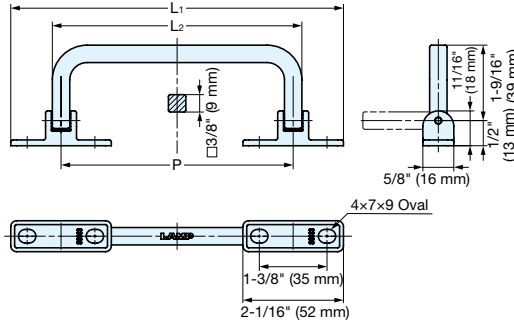
FOLDING HANDLE (FRONT SCREW MOUNT)



HKM



- 90° folding handle. Can be tilted when not in use.
- Front Screw Mount for easy installation.
- Handle clicks (temporary holding function) into open and closed position.
- Can be installed on aluminum frame.
- Load capacity: 110 lbs (vertical lifting or side pulling).



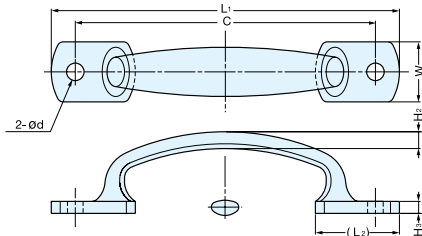
Item No.	Material	Finish	L ₁	L ₂	P	Load Capacity	Weight (g)
HKM-120	SCS13 Stainless Steel*	Mirror	6-3/4" (172 mm)	5-1/16" (129 mm)	4-3/4" (120 mm)	110 lbs (50 kgf)	177
HKM-150			7-15/16" (202 mm)	6-1/4" (159 mm)	5-15/16" (150 mm)		194
HKM-180			9-1/8" (232 mm)	7-7/16" (189 mm)	7-1/16" (180 mm)		214

*SCS13 Stainless Steel is equivalent to 304 Stainless Steel.

TRANSOM HANDLE



3LC



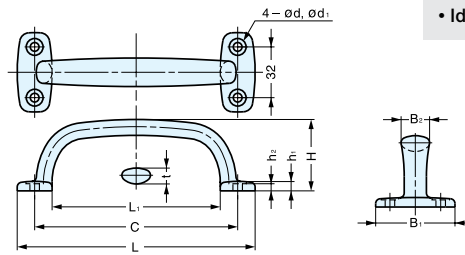
Material	Finish
316 Stainless Steel	Mirror

Item No.	L ₁	L ₂	W	H ₁	H ₂	H ₃	C	d	Weight (g)	Box (pcs)	Carton (pcs)
3LC-120	4-3/4" (120 mm)	1-1/8" (29 mm)	13/16" (20 mm)	1-3/16" (30 mm)	1/4" (6 mm)	3/16" (5 mm)	4-1/8" (105 mm)	1/4" (5.5 mm)	90	100	500
3LC-130	5-1/8" (130 mm)	1-3/16" (30 mm)	7/8" (22 mm)	1-5/16" (33 mm)	1/4" (7 mm)	1/4" (6 mm)	4-1/2" (115 mm)		120		
3LC-145	5-11/16" (145 mm)	1-3/8" (35 mm)	1" (25 mm)	1-5/16" (34 mm)			4-15/16" (125 mm)	1/4" (6.5 mm)	155	80	400

TRANSOM HANDLE



4LC



- Ideal for harsh and high corrosive environments.

Material	Finish
316 Stainless Steel	Mirror

Item No.	L	L ₁	C	B ₁	B ₂	H	h ₁	h ₂	t	d	d ₁	Weight (g)	Box (pcs)	Carton (pcs)	Screw
4LC-82	3-1/4" (82 mm)	1-13/16" (46 mm)	2-1/2" (64 mm)	1-7/8" (48 mm)	5/8" (16 mm)	1-7/16" (36.5 mm)	1/4" (5.5 mm)	3/16" (4 mm)	5/16" (8 mm)	3/16" (5 mm)	3/8" (9.5 mm)	110	8	96	4 × 20
4LC-114	4-1/2" (114 mm)	3-1/16" (78 mm)	3-3/4" (96 mm)			1-9/16" (40 mm)	1/4" (6 mm)	3/16" (4.5 mm)	3/8" (9 mm)			148	6	72	
4LC-150	5-15/16" (150 mm)	4-3/16" (106 mm)	5-1/16" (128 mm)	2"		1-3/4" (45 mm)	1/4" (6 mm)	3/16" (4.5 mm)				210	3	36	5 × 32
4LC-180	7-1/16" (180 mm)	5-1/2" (140 mm)	6-5/16" (160 mm)			1-7/8" (48 mm)	1/4" (6.5 mm)	3/16" (5 mm)	3/8" (10 mm)	1/4" (6 mm)	7/16" (11 mm)	270	2	24	