

STAINLESS STEEL FRICTION TYPE LARGE HOOK



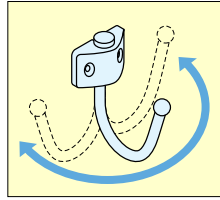
HK-TS



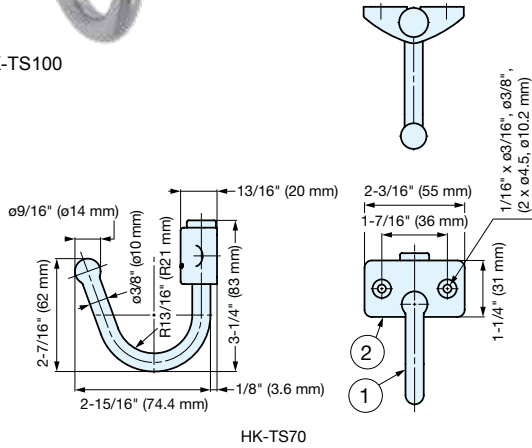
HK-TS100



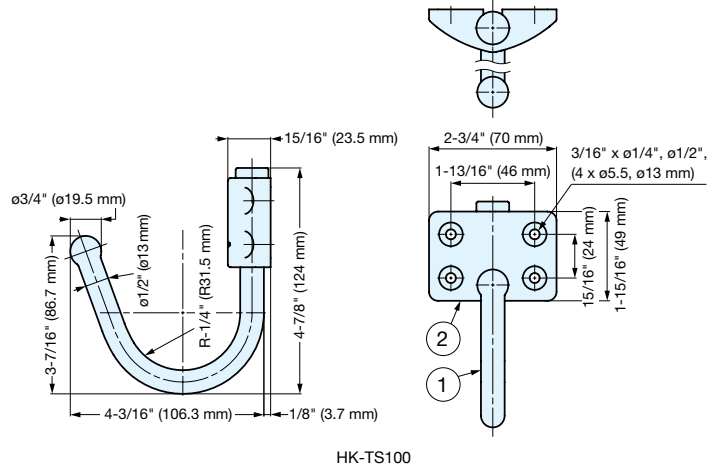
HK-TS70



- Hook swivels 180°.
- Friction prevents unintended swivelling caused by vibrations.
- Ball shaped tip prevents injury.
- Double-hook type (HK-TT) is also available.



HK-TS70



HK-TS100

Item No.	Load Capacity	Weight (g)
HK-TS70	22.5 lbs (10.2 kg)	230
HK-TS100	58.4 lbs (26.5 kg)	550

No.	Part Name	Material	Finish
①	Hook	304 Stainless Steel	Polished
②	Mount	Stainless Steel	

STAINLESS STEEL FRICTION TYPE DOUBLE LARGE HOOK



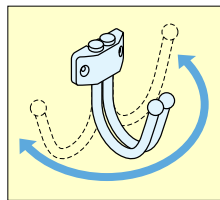
HK-TT



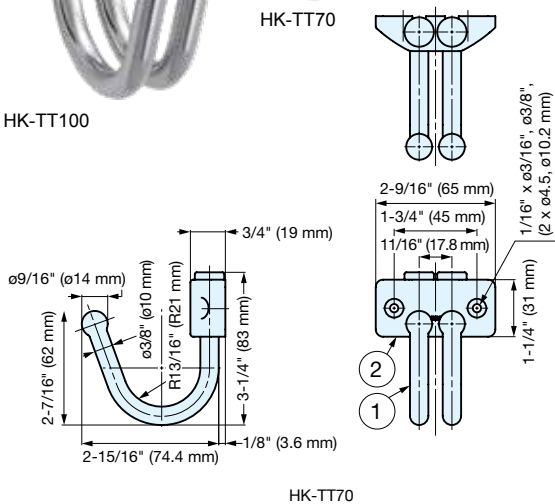
HK-TT100



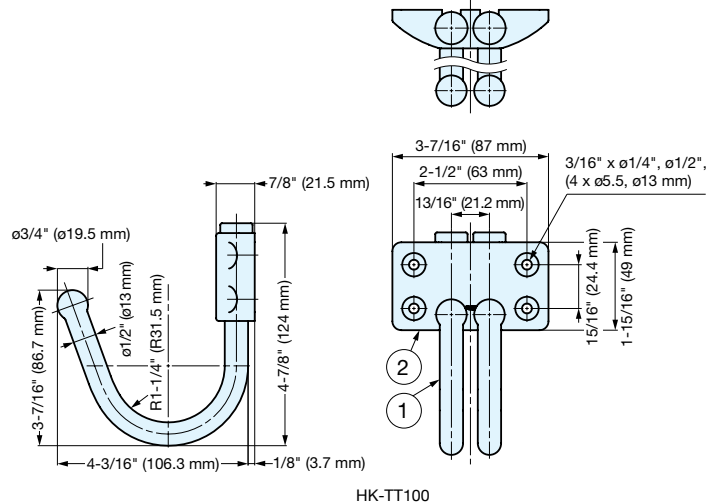
HK-TT70



- Hook swivels 180°.
- Friction prevents unintended swivelling caused by vibrations.
- Ball shaped tip prevents injury.
- Single-hook type (HK-TS) is also available.



HK-TT70



HK-TT100

Item No.	Load Capacity	Weight (g)
HK-TT70	22.5 lbs (10.2 kg)	260
HK-TT100	58.4 lbs (26.5 kg)	600

No.	Part Name	Material	Finish
①	Hook	304 Stainless Steel	Polished
②	Mount	Stainless Steel	

* Load capacity values are for one side only.