

# SLIDE HOOK

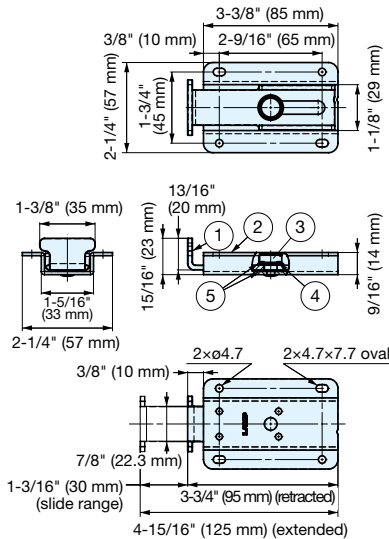


# HK-CS30



Retracted

Extended



Item No.	Load Capacity	Weight (g)	Box (pcs)	Carton (pcs)
HK-CS30	22.4 lbs (10.2 kg)	190	10	40

- An extendable and retractable hook designed to be easily surface-mounted underneath tables, desks, and shelves.
- Low profile, space-saving design.
- Specially designed guide ensures smooth operation.

### Application



No.	Part Name	Material	Finish
①	Arm	304 Stainless Steel	Barrel Polished
②	Base	304 Stainless Steel	Barrel Polished
③	Shaft	303 Stainless Steel	-
④	Wave Washer	Stainless Steel	-
⑤	Plastic Washer	Polyacetal (POM)	-

# LONG PROJECTION HOOK

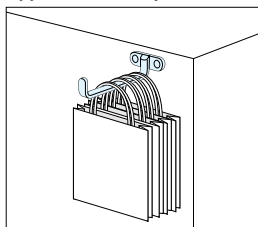


# KB-H-L

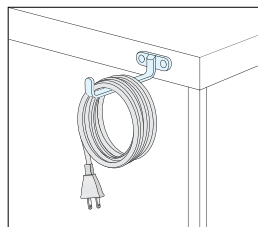


- Choose the perfect length for your storage needs.
- A creative storage solution for bulky items.
- Take advantage of deep, recessed spaces.

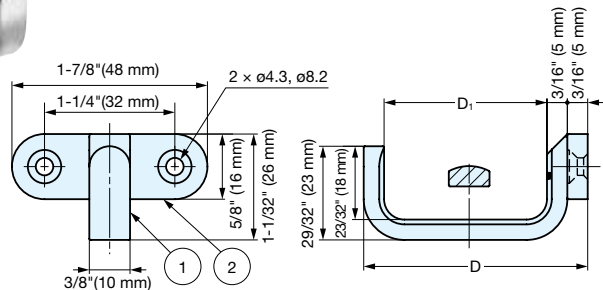
### Application Example



Paper Bag Holder



Cable Management



No.	Part Name	Material	Finish
①	Arm	303 Stainless Steel	Mirror
②	Base	304 Stainless Steel	Mirror

Item No.	D	D <sub>1</sub>	Load Capacity	Weight (g)	Box (pcs)	Carton (pcs)
KB-H-55L-SM	2-5/32" (55 mm)	1-9/16" (40 mm)	47.1 lbs (21.4 kg)	56	10	200
KB-H-85L-SM	3-11/32" (85 mm)	2-3/4" (70 mm)	26.8 lbs (12.2 kg)	67		100
KB-H-110L-SM	4-11/32" (110 mm)	3-3/4" (95 mm)	20.2 lbs (9.2 kg)	73		100

(units in mm)