

COUNTER HOOKS

HK-CH35

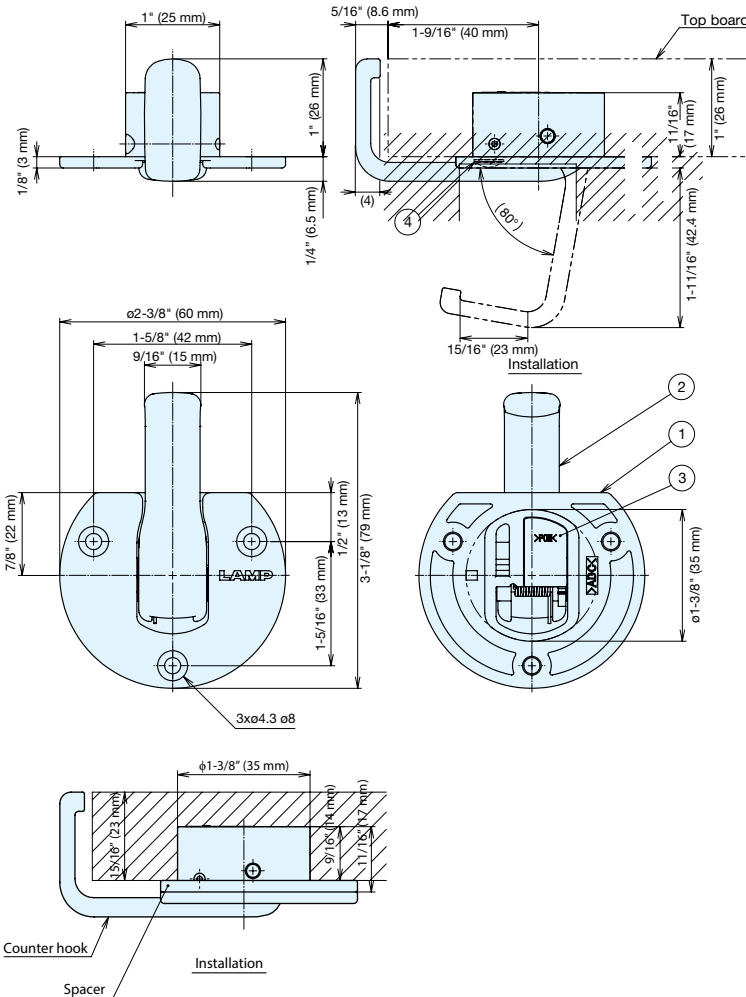
HOOKS

COUNTER HOOKS

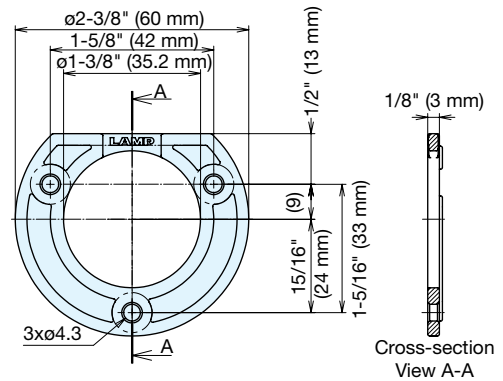


- Recessed mounted hook provides a clean appearance.
- Hook can be seen at the edge when unused.
- Hook closes and retracts with a soft-close motion into body when hooked items are removed.
- Board thickness: Min. 1" (26 mm).

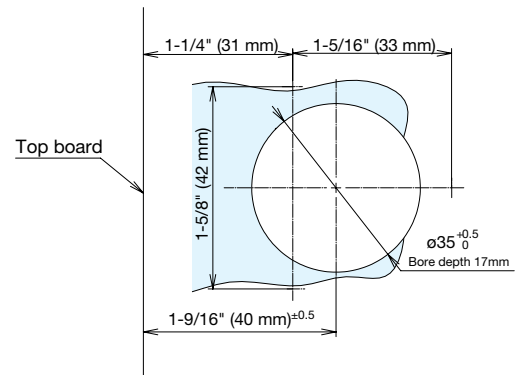
Board Thickness	Qty of Spacers	Bore Depth
Min 1" (26mm)	None	11/16" (17mm)
15/16" ~1" (23~26mm)	1 pcs	9/16" (14mm)
13/16"~15/16" (20~23mm)	2 pcs	7/16" (11mm)
11/16"~13/16" (17~20mm)	3 pcs	5/16" (8 mm)



[Spacer]



[Bore Dimensions]



Item No.	Finish	LoadCapacity	Box (pcs)	Carton (pcs)
HK-CH35-BL	Black	22 lbf (10 kgf)	20	200
HK-CH35-BR	Brown			
HK-CH35-SL	Silver			

No.	Part Name	Material	Finish
①	Body	Aluminum Alloy (ADC)	Enamel Finish Black/Brown/Silver
②	Arm	Aluminum Alloy (ADC)	Enamel Finish Black/Brown/Silver
③	Cover	Plastic (POM)	-
④	Bumper	PUR	Clear
⑤	Spacer	Plastic (PA)	Black