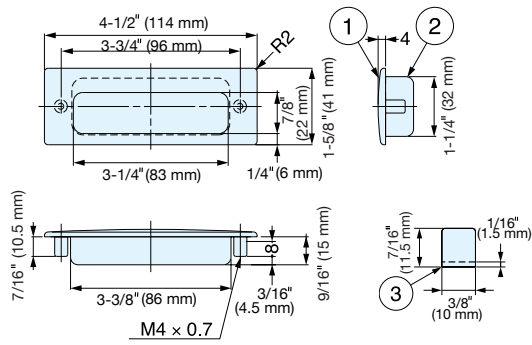




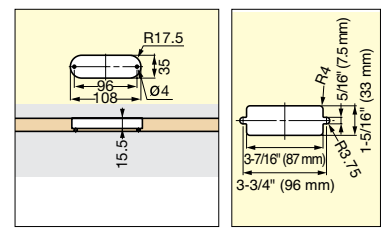
RECESSED PULL



HH-KS



• All-stainless steel model ideal for harsh and high corrosive environments.



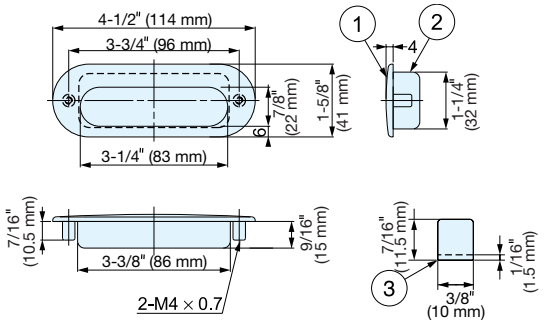
Bore Dimensions for wood panel
Cut Out Dimensions for sheet metal

Item No.	Finish	Weight (g)	Box (pcs)	Carton (pcs)	No.	Part Name	Material	Finish
HH-KS114M	Mirror	110	10	60	①	Face Plate	316 Stainless Steel	Mirror/Satin
HH-KS114S	Satin				②	Case	304 Stainless Steel	Satin
					③	Spacer		-

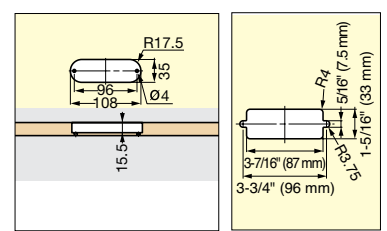
RECESSED PULL



HH-DS



• All-stainless steel model ideal for harsh and high corrosive environments.



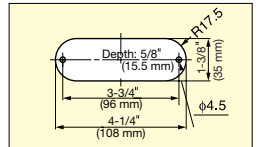
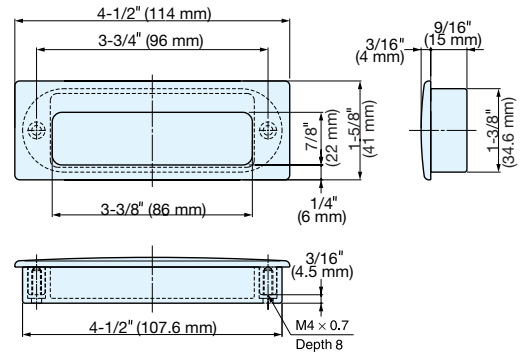
Bore Dimensions for wood panel
Cut Out Dimensions for sheet metal

Item No.	Finish	Weight (g)	Box (pcs)	Carton (pcs)	No.	Part Name	Material	Finish
HH-DS114M	Mirror	105	10	60	①	Face Plate	316 Stainless Steel	Mirror/Satin
HH-DS114S	Satin				②	Case	304 Stainless Steel	Satin
					③	Spacer		-

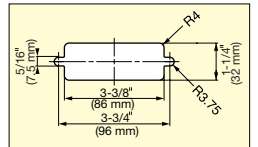
RECESSED PULL



HH-K



Bore Dimensions for wood panel.



Cut Out Dimensions for sheet metal. Put sheet metal between front and back part for sheet metal applications. (Max. sheet metal thickness: 2 mm)

Item No.	Weight (g)	Box (pcs)	Carton (pcs)	Material	Finish/Color
HH-K	90	10	60	316 Stainless Steel	Mirror
				ABS	Black