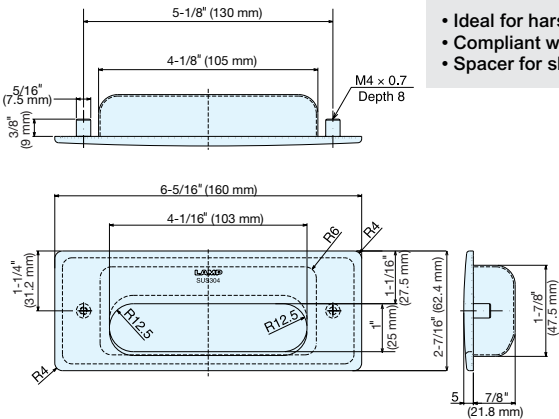




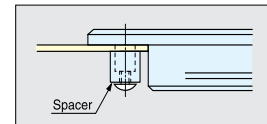
RECESSED PULL



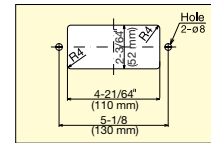
HH-KL160



- Ideal for harsh and high corrosive environments.
- Compliant with SEMI S8-0600 guideline.
- Spacer for sheet metal application sold separately.



(Optional : BSP-8)
Sheet metal mounting application



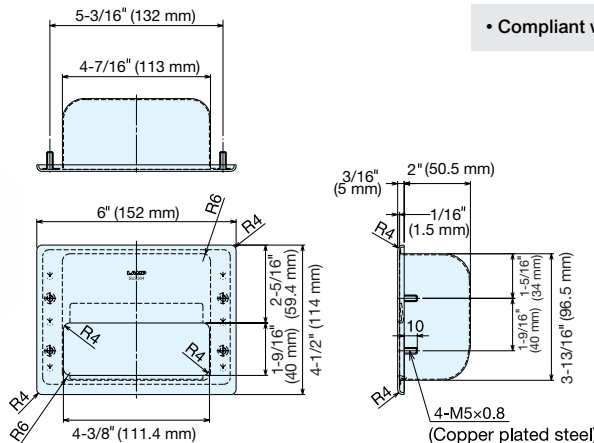
Cut Out Dimensions

Item No.	Weight (g)	Box (pcs)	Carton (pcs)	Material	Finish
v	260	8	48	304 Stainless Steel	Satin

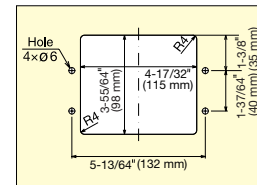
RECESSED PULL



HH-KP150



- Compliant with SEMI S8-0600 guideline.



Cut Out Dimensions

Item No.	Weight (g)	Box (pcs)	Carton (pcs)	Material	Finish
HH-KP150	390	5	50	304 Stainless Steel	Satin

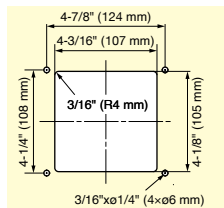
RECESSED PULL



HH-KPR150-SH

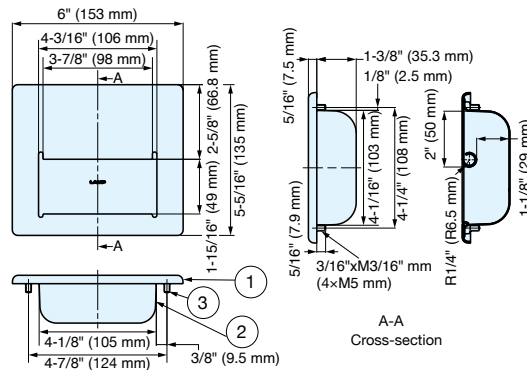
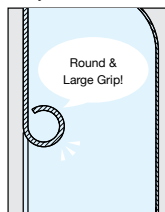


Cut Out Dimensions



- Compliant with SEMI standard. (SEMI S8-0218 section 6.8)
- Rounded large grip prevents injury to hand.
- Ideal for semiconductor and manufacturing equipment.
- The bolts are designed to swing for easy installation.

Easy to Hold



Item No.	Load Capacity	Weight (g)
HH-KPR150-SH	90.4 lbs (41 kg)	390

No.	Part Name	Material	Finish
①	Plate	304 Stainless Steel	Satin
②	Cup		
③	Hexagon Head Bolt M5x10	Stainless Steel	Plain