

# DETENT HINGE



## HG-YJ50

HINGES

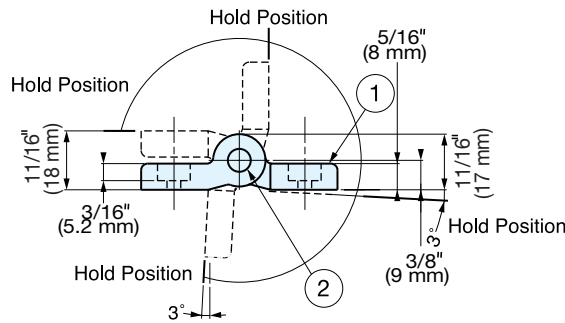
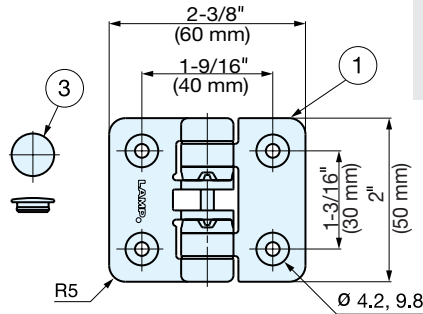
DETENT HINGES



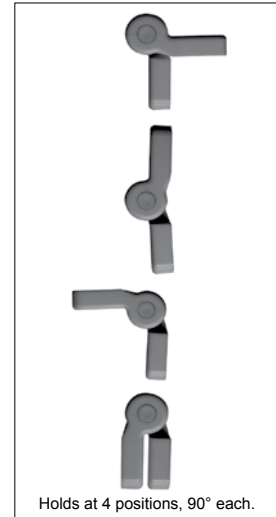
HG-YJ50BL  
Black



HG-YJ50IV  
Ivory



- Plastic hinge holds doors at 4 different positions (90° each) without secondary support.
- Ivory or Black available.
- Door Sizes Max. W15-3/4" × 19-11/16" /pair (W400 × H500 mm/pair)
- Max. Door Weight: 2.6 lbs/pair (1.2 kg/pair)



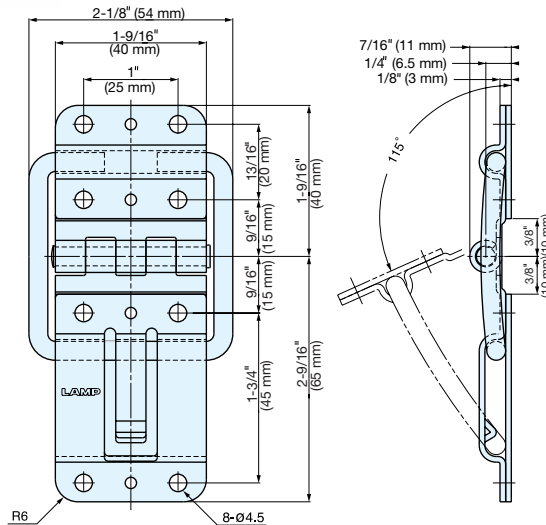
Item No.	Catch Release Torque	Weight (g)	Box (pcs)	Carton (pcs)
HG-YJ50IV	4.3 lbs-in (5 kgf-cm)	30	20	200
HG-YJ50BL				

No.	Part Name	Material	Color
①	Body	Polyacetal	Ivory/Black
②	Hinge Pin	303 Stainless Steel	Plain
③	Cap	Polypropylene	Ivory/Black

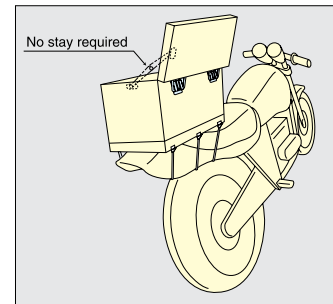
# DETENT HINGE



## HG-YC105



- Snaps in at 115° open position.
- Holds doors open without secondary support.



Installation

Item No.	Catch Release Torque	Weight (g)	Box (pcs)	Carton (pcs)
HG-YC105	10.4 lbs-in (12 kgf-cm)	122	10	100

Material	Finish
304 Stainless Steel	Polished