

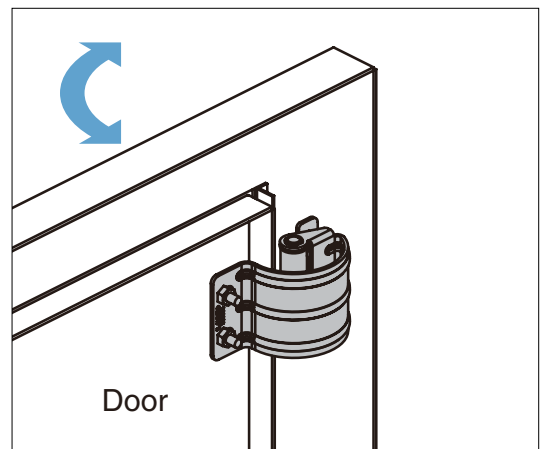
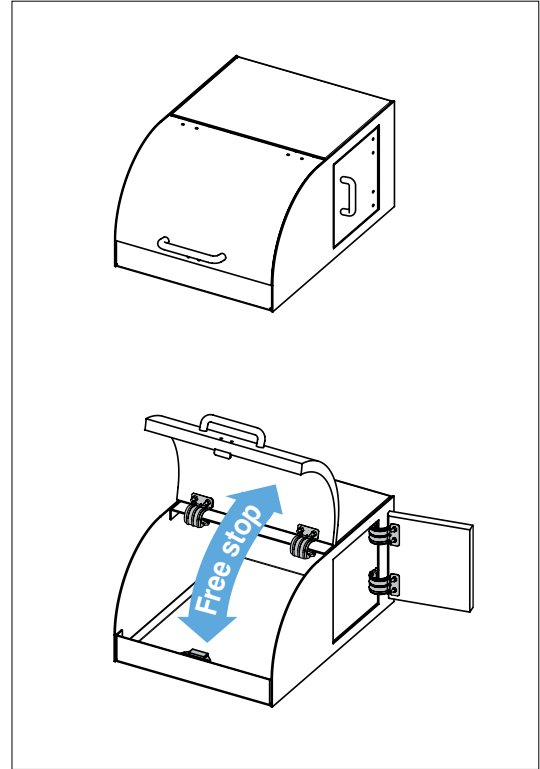
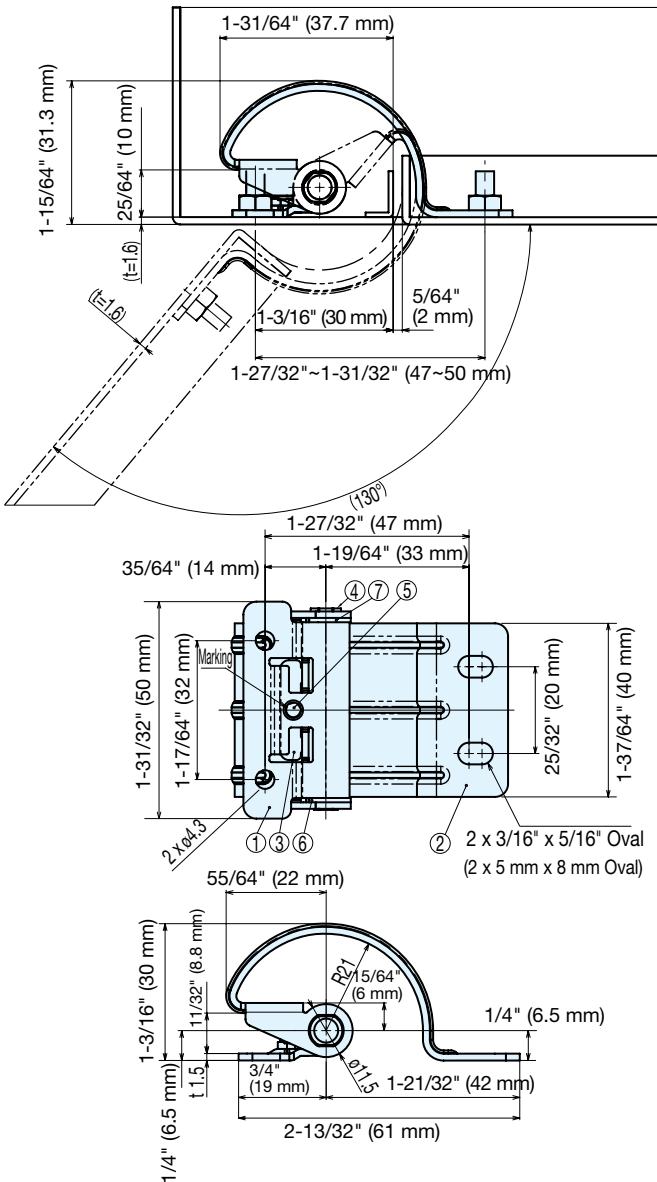
CONCEALED TORQUE HINGE



HG-TUWA



- High torque and wide opening angle (130°).
 - Installation on the back side or inner side of the door for a clean aesthetics and appearance.
 - Can be used horizontally or vertically.
 - When installing, ensure that both hinge shafts are aligned.
 - Successfully passed 20,000 open/close private cycle tests.
- Note:
- Initial torque may vary -20%~+40%.
 - Not suitable for high frequency use.
 - Do not lubricate.



Item No.	Torque per piece	Weight (g)	Box (pcs)	Carton (pcs)
HG-TUWA07	6.2 lbs-in (7.1 kgf-cm)	88	20	100
HG-TUWA15	13.2 lbs-in (15.3 kgf-cm)			

No	Part Name	Material	Finish
①	Body	304 Stainless Steel	Polished
②	Base		
③	Press Washer	303 Stainless Steel	-
④	Shaft		
⑤	Pin	Stainless Steel	
⑥	Fixing Tube L	Plastic	Black
⑦	Fixing Tube R		