

1-WAY TORQUE HINGE (ADJUSTABLE)

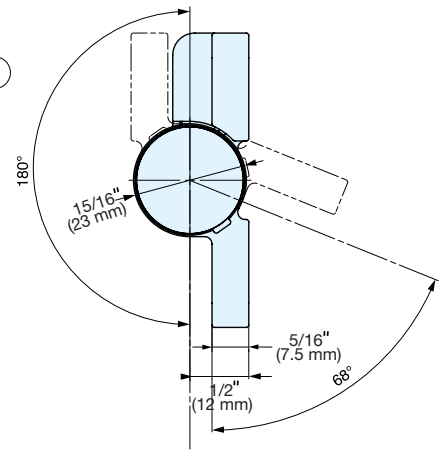
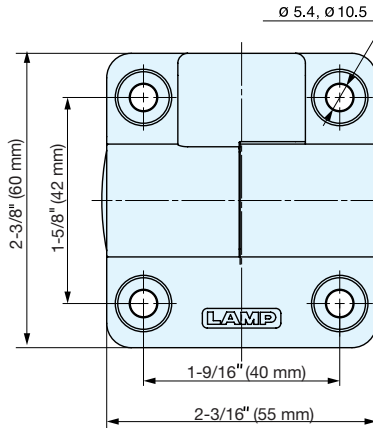
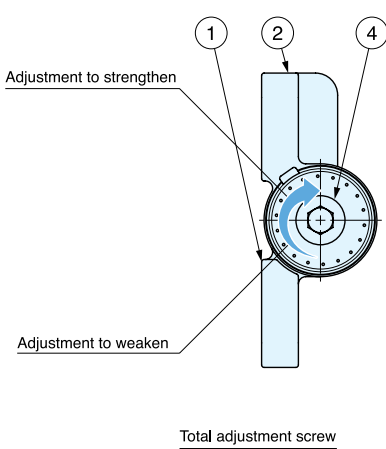
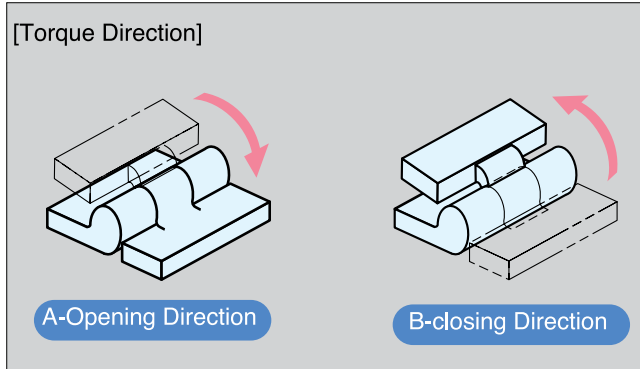
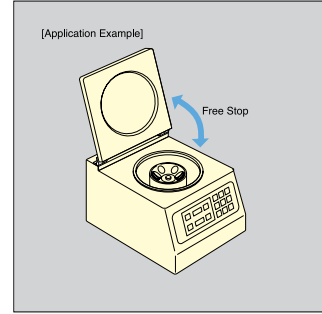
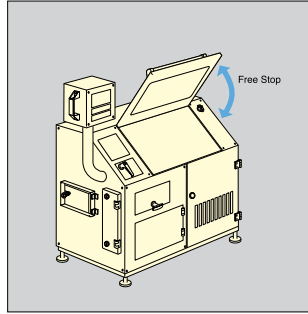
HG-TQJ100

HINGES

1-WAY TORQUE HINGE (ADJUSTABLE)



- Friction in one direction only.
- Torque strength adjustable.
- 2 versions available for friction torque at "opening" direction (type - A) and at closing direction (type - B).



Item No.	Torque Direction	Torque per piece
HG-TQJ100-A	Opening	0~88.7 lbs-in (0~102 kgf·cm)
HG-TQJ100-B	Closing	

No.	Part Name	Material	Finish
①	Bracket A	Zinc Alloy	Silver
②	Bracket B		
③	Cover Cap	Polypropylene	Dark Grey
④	Torque adjustment screw	Steel	-