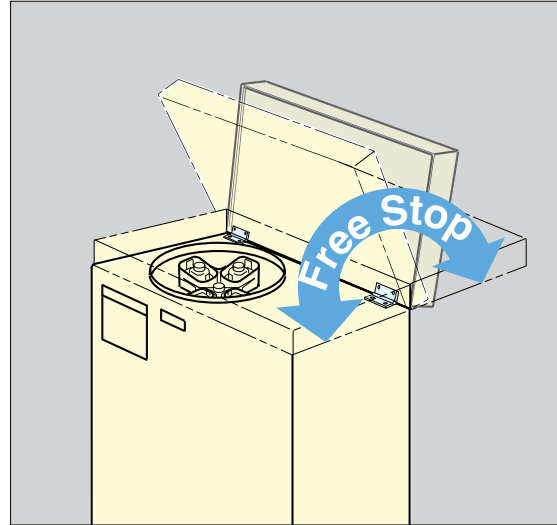




- Hinge with friction torque holds lid/door in desired position.
- Stainless steel material ideal for harsh environments.
- Free stop between 0~180 degrees.

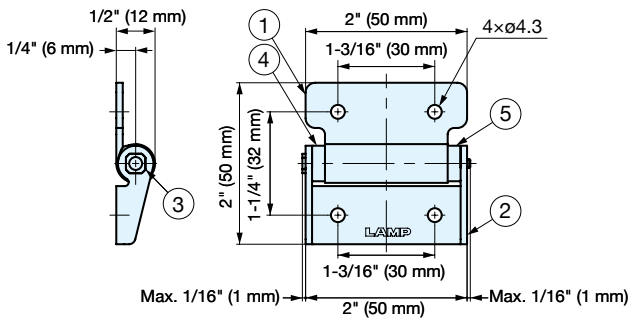
Note:
• At least 2 hinges necessary for 1 door.



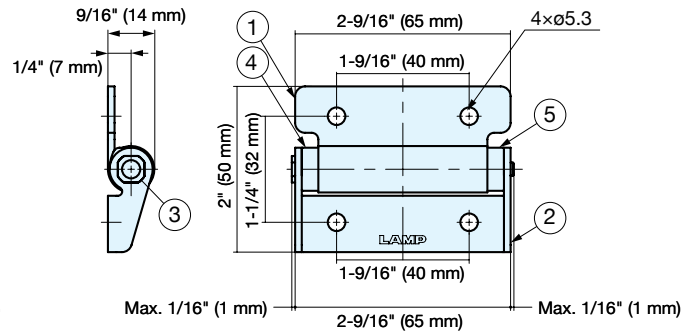
HG-TP20

HG-TP30

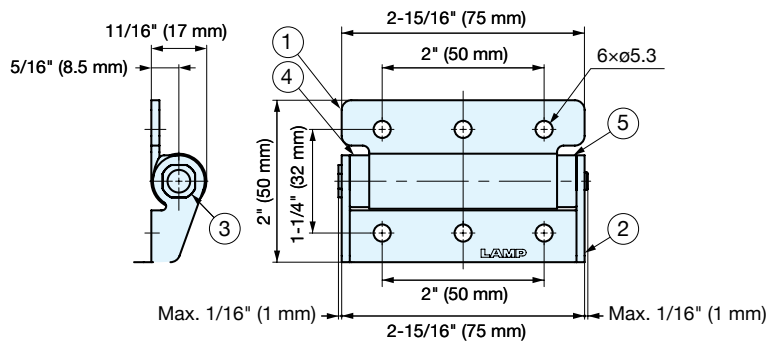
HG-TP45



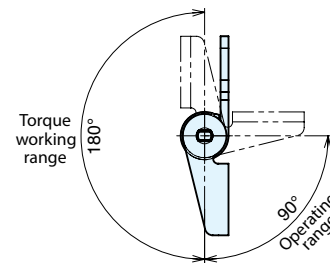
HG-TP20



HG-TP30



HG-TP45



Item No.	Torque per piece	Weight (g)	Box (pcs)	Carton (pcs)
HG-TP20	17.6 lbs-in (20.3 kgf-cm)	60	50	200
HG-TP30	26.5 lbs-in (30.5 kgf-cm)	90	25	100
HG-TP45	40 lbs-in (45.8 kgf-cm)	150		

No.	Part Name	Material	Finish
①	Body	304 Stainless Steel	Polished
②	Base		Polished
③	Fixing Tube	Polyacetal	Black
④	Fixing Tube		
⑤	Shaft	303 Stainless Steel	-