

DUAL AXIS TORQUE HINGE



HG-TMH



Chrome

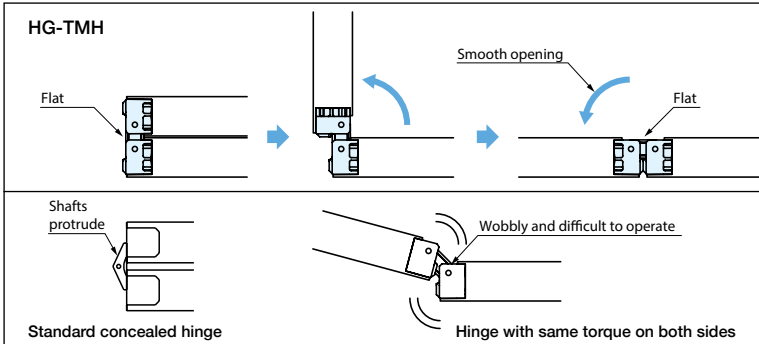
Satin Nickel

Black

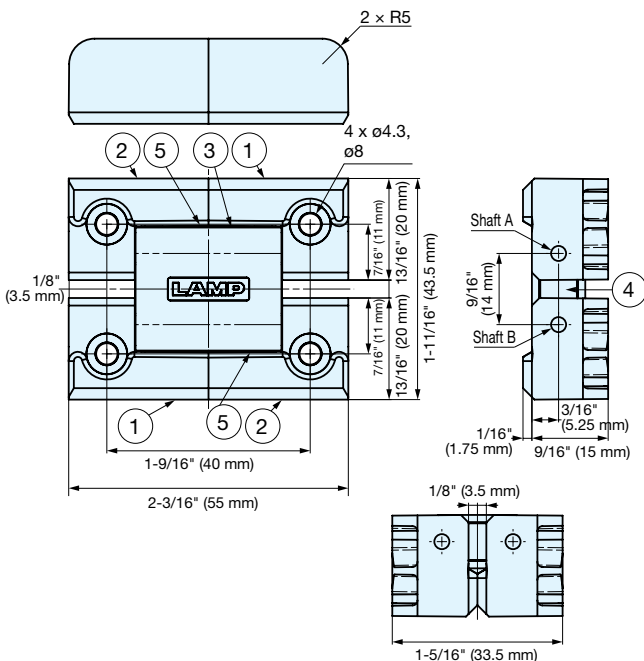
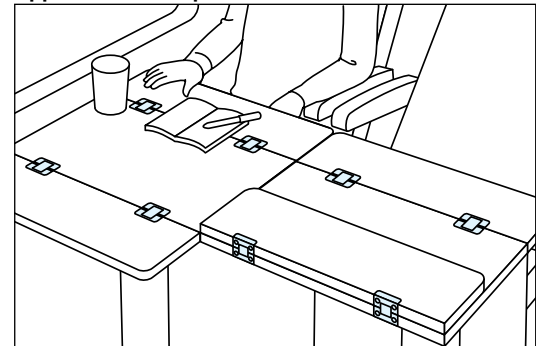
- A torque hinge that can be opened 180°.
- Shafts do not protrude when the hinge is fully opened or closed.
- Easy to operate as the two shafts have different torque and move one at a time.
- Ideal for folding tables in shops, trains, caravans, etc.



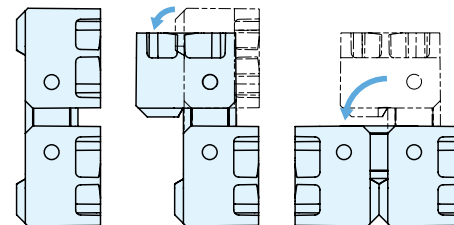
Table Movement



Application Example



Hinge Movement



No.	Part Name	Material	Finish/Color
①	Main BodyA	Zinc Alloy	Chrome, Satin Nickel, Black
②	Main BodyB		
③	Intermediate Body	Plastic (PBT)	Black
④	Sleeve		
⑤	Bumper		

Item No.	Finish	Shaft A Torque	Shaft B Torque	Weight (g)	Box (pcs)	Carton (pcs)
HG-TMH2030-CR	Chrome	17.7±20% lbs-in (20.4±20% kgf-cm)	26.5±20% lbs-in (30.6±20% kgf-cm)	165	10	50
HG-TMH1530-CR		13.2±20% lbs-in (15.3±20% kgf-cm)				
HG-TMH2030-SN	Satin Nickel	17.7±20% lbs-in (20.4±20% kgf-cm)				
HG-TMH1530-SN		13.2±20% lbs-in (15.3±20% kgf-cm)				
HG-TMH2030-BL	Black	17.7±20% lbs-in (20.4±20% kgf-cm)				
HG-TMH1530-BL		13.2±20% lbs-in (15.3±20% kgf-cm)				