

# TORQUE PIANO HINGE



# HG-TLS30-50-300

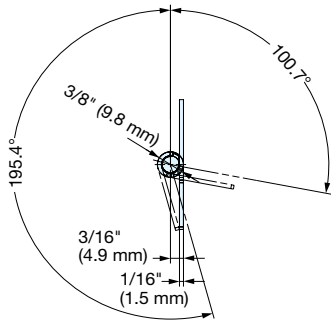
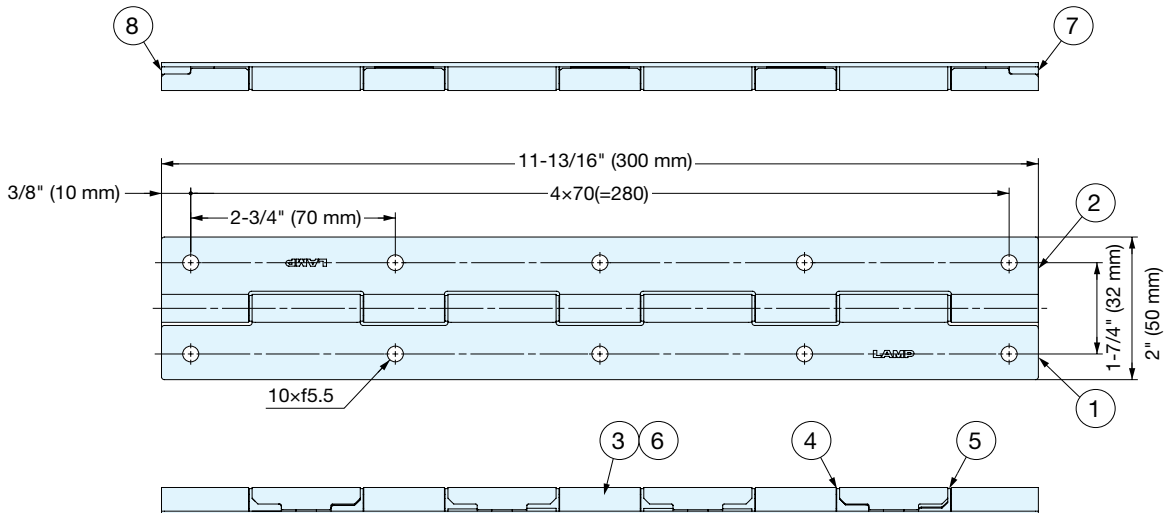
HINGES

TORQUE PIANO HINGES

- Unique long type torque piano hinge.
- Free stop function maintains a safe working environment
- Reduces gaps between housing and doors for industrial equipment and shopfittings to improve security and reduce danger
- Greaseless hinge allows for water-drop level exposure
- Can be used in multiples for doors larger than 12"
- Successfully passed 30,000 private cycle tests for vertical and horizontal applications



For opening/closing of maintenance machine doors.



No.	Part Name	Material
①	Hinge A	304 Stainless Steel
②	Hinge B	
③	Shaft	POM
④	Plug L	
⑤	Plug R	
⑥	Collar	PA (Plastic)
⑦	Holder L	
⑧	Holder R	

Item No.	Torque	Weight (g)	Box (pcs)	Carton (pcs)
HG-TLS30-50-300	25 lbs·in (29 kgf·cm)	396	5	20