

SWIVEL TORQUE HINGE



HG-S

HINGES

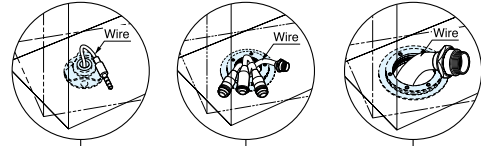
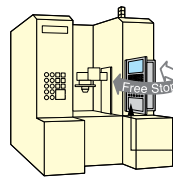
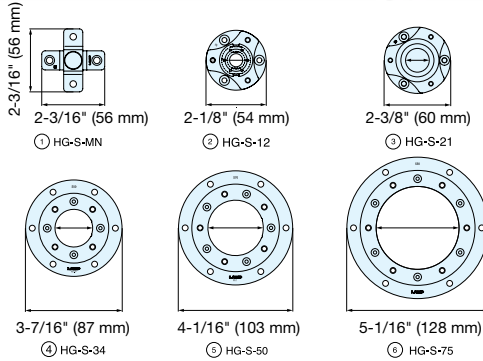


- Rotation angle: 360°
- Free stop function.

Use for:

- Industrial control panels and monitors.

- Note:
- Initial torque may vary $\pm 20\%$.
 - Do not lubricate.
 - For indoor use only.



Select appropriate model for wire size.

Item No.	No.	Outer Dimension (mm)	Center Hole Diameter (mm)	Torque per piece
HG-S7-MN	①	2-3/16" (56 mm)	-	6.2 lbs-in (7.1 \pm 20% kgf-cm)
HG-S20-MN				17.7 lbs-in (20.4 \pm 20% kgf-cm)
HG-S30-12	②	2-1/8" (54 mm)	1/2" (12 mm)	26.6 lbs-in (30.6 \pm 20% kgf-cm)
HG-S50-12				44.3 lbs-in (51.0 \pm 20% kgf-cm)
HG-S30-21	③	2-3/8" (60 mm)	7/8" (21.5 mm)	26.6 lbs-in (30.6 \pm 20% kgf-cm)
HG-S50-21				44.3 lbs-in (51.0 \pm 20% kgf-cm)
HG-S50-34	④	3-7/16" (87 mm)	1-5/16" (34 mm)	44.3 lbs-in (51.0 \pm 20% kgf-cm)
HG-S70-34				62.1 lbs-in (71.4 \pm 20% kgf-cm)
HG-S70-50	⑤	4-1/16" (103 mm)	2" (50 mm)	62.1 lbs-in (71.4 \pm 20% kgf-cm)
HG-S100-50				88.7 lbs-in (102.0 \pm 20% kgf-cm)
HG-S50-75	⑥	5-1/16" (128 mm)	2-15/16" (75 mm)	44.3 lbs-in (51.0 \pm 20% kgf-cm)
HG-S70-75				62.1 lbs-in (71.4 \pm 20% kgf-cm)

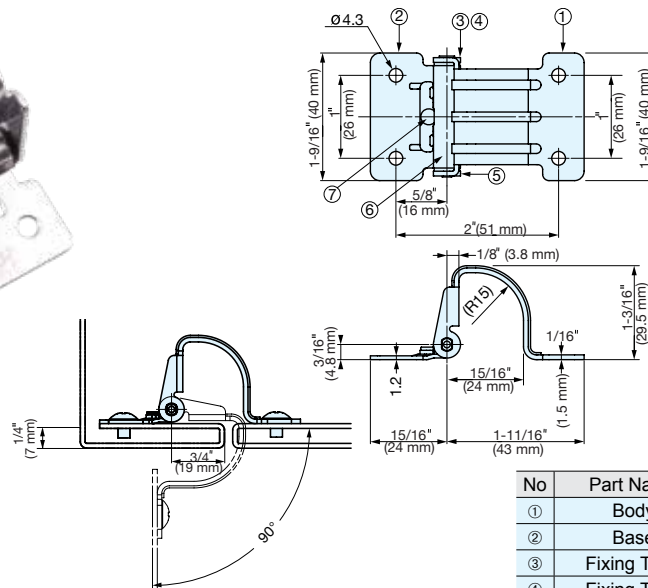
Part Name	Material	Finish
Plate	430 Stainless Steel	Barrel Polished
Washer		
F Plate	Bronze	-
Spring Washer	Stainless Steel/Steel (HG-S-12)	
Shaft	303 Stainless Steel (HG-S7, S20)	
Bush	POM(HG-S-34)	-
Sleeve	303 Stainless Steel (HG-S30, S50)	

HIDDEN TORQUE HINGE



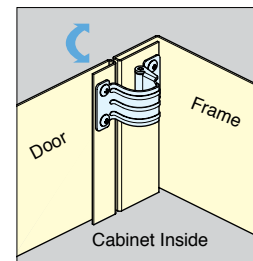
HG-TU

SWIVEL TORQUE HINGES / HIDDEN TORQUE HINGES



- Installation on the back side of the door.
- Can be used both for horizontal and vertical applications.

- Note:
- Initial torque may vary -20%~+40%.
 - Not suitable for high frequency use.
 - Do not lubricate.
 - For indoor use only.



Item No.	Torque per piece	Weight (g)	Box (pcs)	Carton (pcs)
HG-TU03	3.1 lbs-in (3.6 kgf-cm)	50	20	200
HG-TU07	6.2 lbs-in (7.1 kgf-cm)			

No	Part Name	Material	Finish
①	Body	430 Stainless Steel	Polished
②	Base		
③	Fixing Tube	Polyacetal	Black
④	Fixing Tube		
⑤	Shaft	303 Stainless Steel	-
⑥	Press Washer	430 Stainless Steel	Polished
⑦	Pin		-