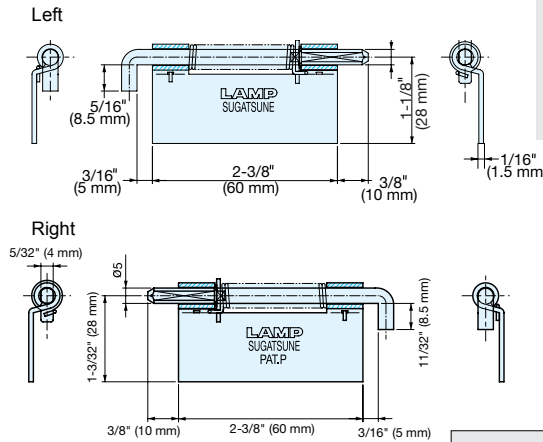


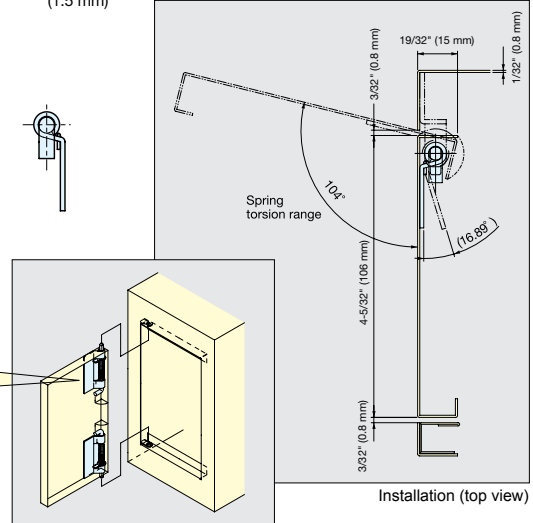
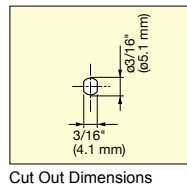
SPRING LOADED PIVOT HINGE (WELD-ON)

STAINLESS
304
STEEL

HG-PV60AC



- Designed to close with spring tension when hinge is back-surface mounted.
- Lift pin for easy door installation and removal.
- Torsion moment (Hinge closed): 0.66 lb-in (0.76 kgf-cm) per piece
- Max. Door Weight: 4.4 lbs (2 kg/pair)



Item No.	Weight (g)	Box (pcs)	Carton (pcs)
HG-PV60AC-L	38	50	200
HG-PV60AC-R			

Material	Finish
304 Stainless Steel	Plain

BUTT HINGE (W/SPRING)



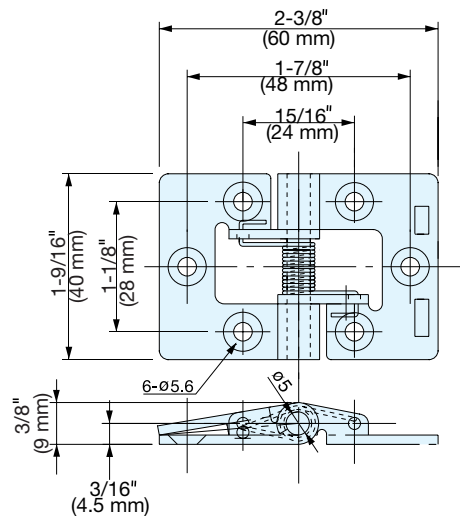
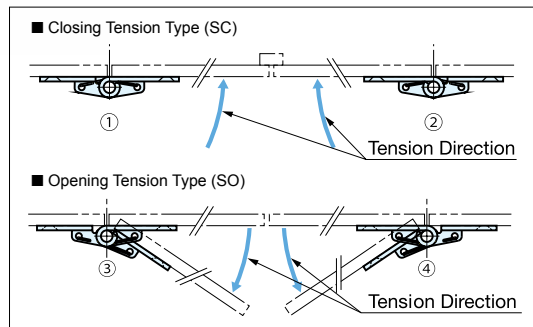
STAINLESS
304
STEEL



HG-BF3



- Spring loaded hinges to keep doors open or closed (2 versions available).
- 304 stainless steel.



Item No.		Tension Direction	Weight (g)	Box (pcs)	Carton (pcs)
Left	Right				
③HG-BF3-2L-SO	④HG-BF3-2R-SO	Opening Tension	41	20	120
①HG-BF3-2L-SC	②HG-BF3-2R-SC	Closing Tension			

Material	Finish
304 Stainless Steel	Plain