

SOFT-CLOSE DAMPENING HINGE



HG-JHM9



HG-JHM9-S

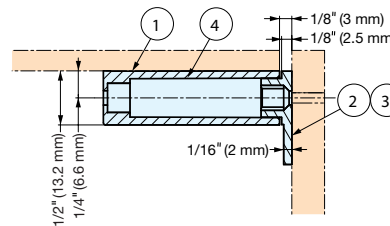
Black



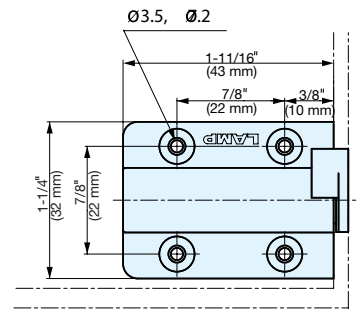
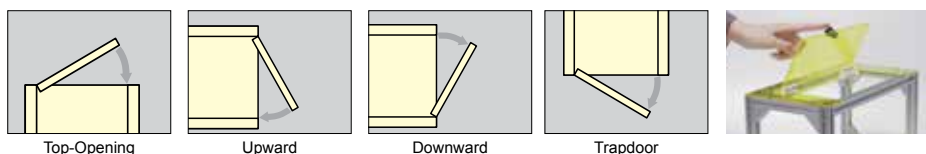
HG-JHM9-U

White

- Hinge with damper built-in to keep lid from slamming shut.
- Surface mounts into the lid.
- Side panel or under panel mounted.
- Sold as a set.



Damping direction



Item No.	Shaft Color	Type	Torque per pair	No.	Part Name	Material	Finish
HG-JHM9-S-BL	Black	Side Panel Mount	0.48~0.77 lbs-in (0.55~0.88 kgf·cm)	①	Bracket	Polyacetal	Black/ White
HG-JHM9-S-WT	White			②	Mounting Plate R	PBT plastic	
HG-JHM9-U-BL	Black	Under Panel Mount		③	Mounting Plate L		
HG-JHM9-U-WT	White			④	Damper	Polyacetal	-

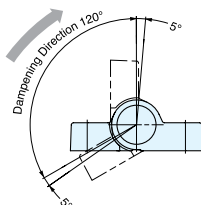
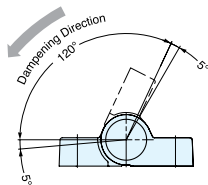
SOFT-CLOSE HINGE



HG-JHW16S

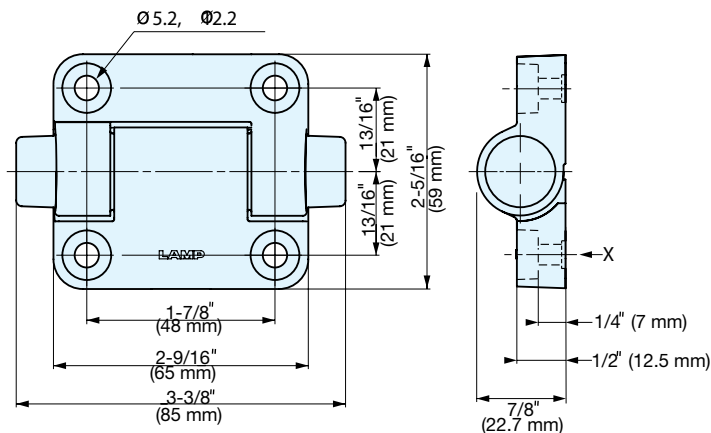


HG-JHW16S



HG-JHW16SG

- Hinge with built-in damper to keep lid from slamming.
- Torque calculation:
• Torque = Door Height x 1/2 Door Weight.
- Passed 70,000 open/close cycle tests.



Item No.	Damper Direction	Torque	Weight (g)	Box (pcs)	Part Name	Material	Finish/Color
HG-JHW16S-34	Closing	17~30 lbs-in (20~35 kgf·cm)	83	30	Bracket	PBT plastic	Dark Grey
HG-JHW16S-50		30~44 lbs-in (35~51 kgf·cm)			Damper	304 Stainless Steel	Plain
HG-JHW16S-34G	Opening	17~30 lbs-in (20~35 kgf·cm)			Cap	Polypropylene	-
HG-JHW16S-50G		30~44 lbs-in (35~51 kgf·cm)					
HG-JHW16S-00	No Damper	-	52				