

SOFT-CLOSE HINGE



HG-JHM16

HINGES

SOFT-CLOSE HINGES



- Hinge with damper built-in to keep lid from slamming shut.
- Mortise mount type.
- Ideal for small size lid.
- Sold in pairs.
- Torque Calculation:
Torque = Door Height × 1/2 × Door Weight
*Please see diagram below for applicable torque moment.
- *Please specify color of face plate (sold separately) when ordering.
- *Please install Left and Right brackets on correct side.



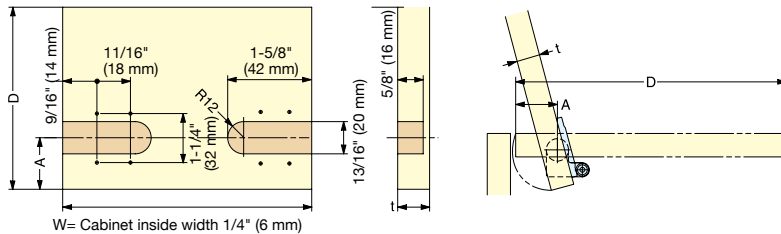
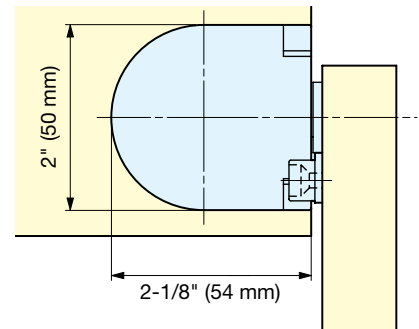
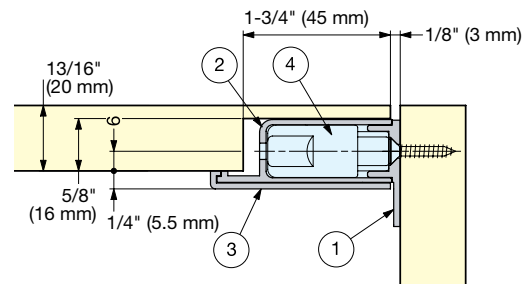
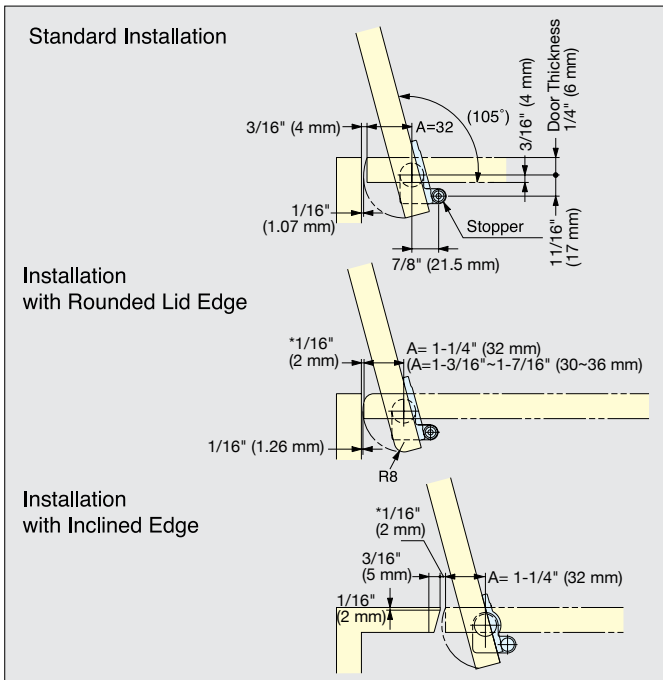
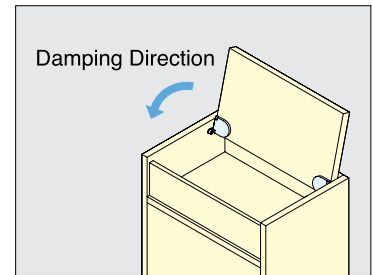
Bracket/Mounting Plate



Black cover



White cover



| Item No. | Part Name | Color | Torque per pair | Weight (g) | Box | Carton |
|-------------|-----------|-------|---------------------------------|------------|----------|-----------|
| HG-JHM16-34 | Body | Black | 17.4~29.5 lbs-in (20~34 kgf-cm) | 91/pair | 10 pairs | 120 pairs |
| HG-JHM16-50 | | | 29.5~43.4 lbs-in (34~50 kgf-cm) | | | |
| HG-JHM16-BL | Cover | Black | - | 12/pair | | |
| HG-JHM16-WT | | White | | | | |

| No. | Part Name | Material | Color |
|-----|----------------|---------------------|--------------|
| ① | Mounting Plate | Aluminum | Black |
| ② | Damper Bracket | Polyacetal | |
| ③ | Face Plate | ABS | White, Black |
| ④ | Damper | 304 Stainless Steel | Plain |