

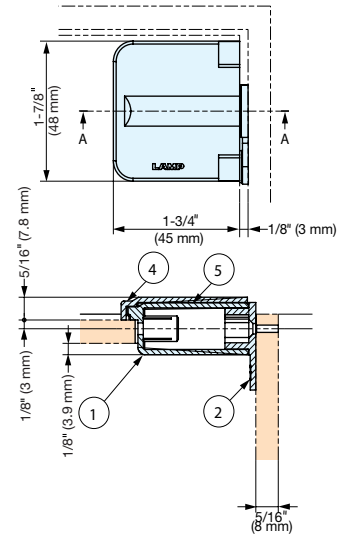
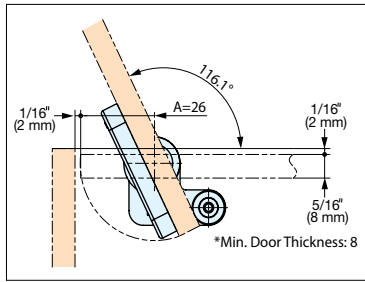
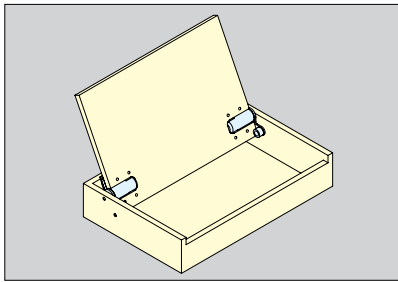
SOFT-CLOSE DAMPENING HINGE



HG-JHM14



- Hinge with built-in damper to keep lid from slamming shut.
- Mortise mount type.



Item No.	Color	Torque per piece	Weight (g)	Box (pcs)	Carton (pcs)
HG-JHM14-S-8BL*	Black	4.3~7 lbs-in (5~8 kgf-cm)	51	20	220
HG-JHM14-S-8WT	White				
HG-JHM14-S-15BL	Black	7.0~13 lbs-in (8~15 kgf-cm)			
HG-JHM14-S-15WT	White				
HG-JHM14-S-20BL	Black	13.0~17 lbs-in (15~20 kgf-cm)			
HG-JHM14-S-20WT	White				

No.	Part Name	Material	Finish
①	Bracket	Polyacetal	
②	Mounting Plate R	PBT plastic	Black /White
③	Mounting Plate L		
④	Face Plate	ABS plastic	
⑤	Damper	304 Stainless Steel	-

*NSF Component

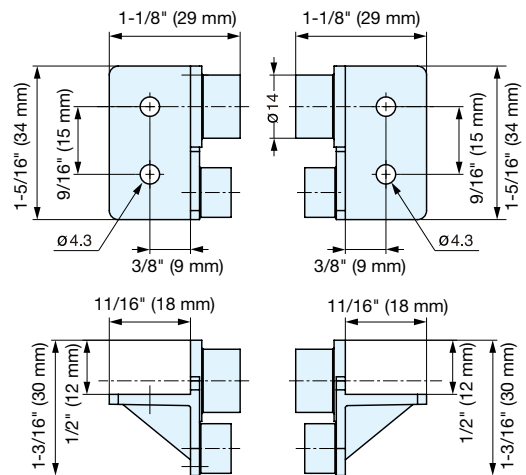
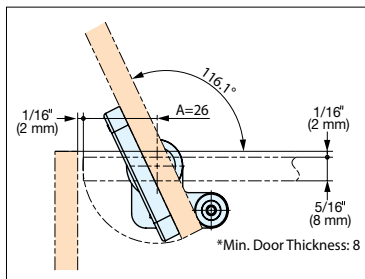
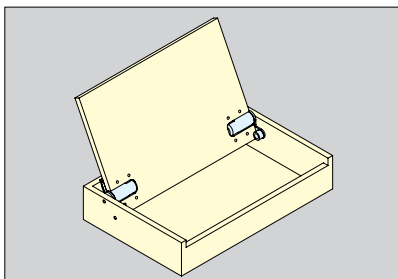
UNDER PANEL MOUNTING BRACKET



UKZ14



- Under panel installation bracket for HG-JHM14 Soft-Close hinge.



Item No.	Material	Color
UKZ14-BL	PBT Plastic	Black
UKZ14-WT		White