

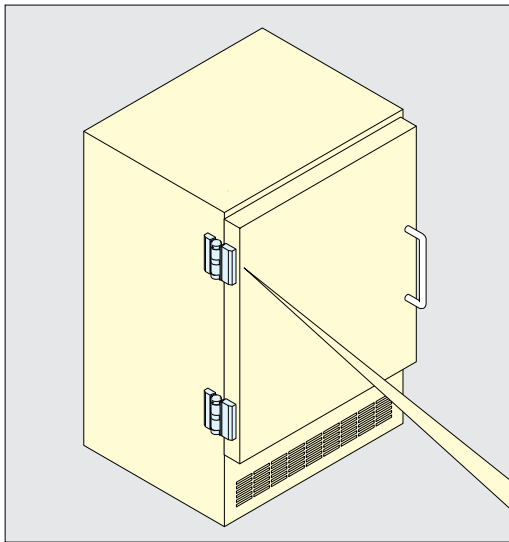
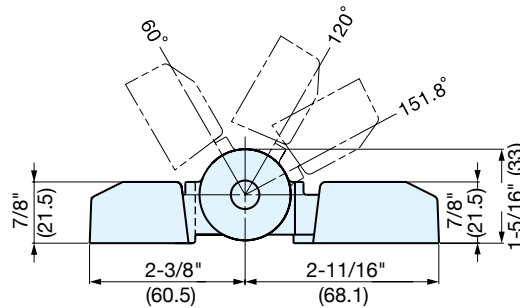
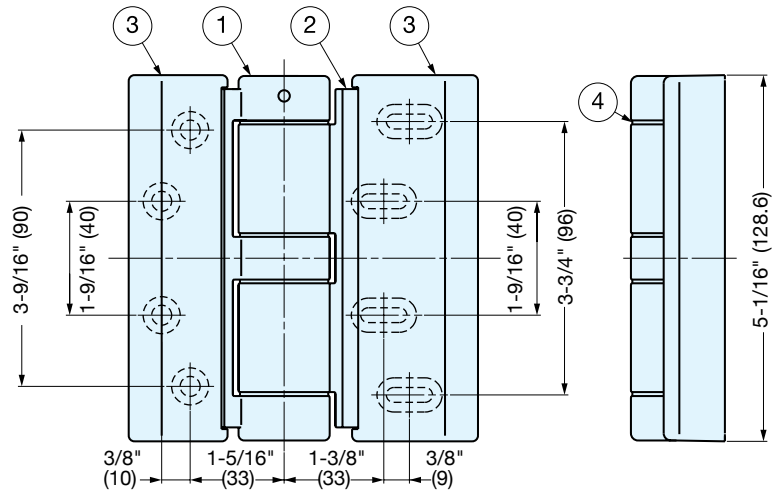
DETENT HINGE



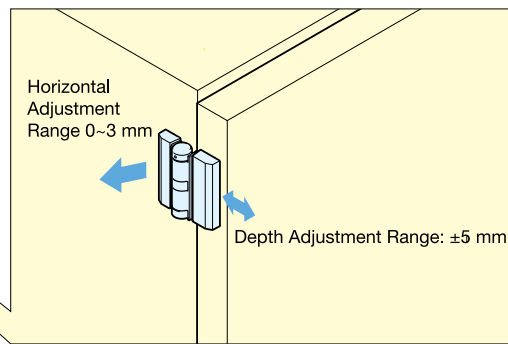
HG-FH-128



- Ideal for doors which need to be compressed.
- Horizontally adjustable for better compression.
- Holds doors at 60° and 120°
Max. Open: 152°
- Plastic washer provides smooth movement.
- Recommended door specification:
Width: 600 ~ 900 mm (24" ~ 36")
Height: 900 ~ 1200 mm (36" ~ 48")
Weight: maximum 88 lbs (40 kg) for 2 hinges
- Retaining Force: 102 kgf-cm (224 lbs-in)



Installation



Item No.	Weight (g)	Box (pcs)	Carton (pcs)
HG-FH-128	1500	2	10

No.	Part Name	Material	Finish
①	Body A	Zinc Alloy	Nickel
②	Body B		
③	Cover A, B	AES	Silver
④	Washer	Fluoroplastic	-