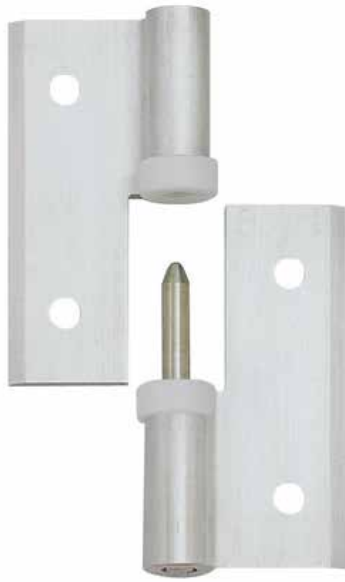


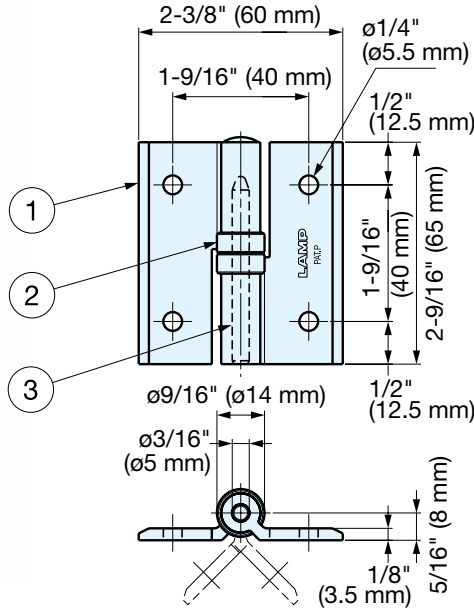
CLEAN ROOM HINGE (W/BUSHING)



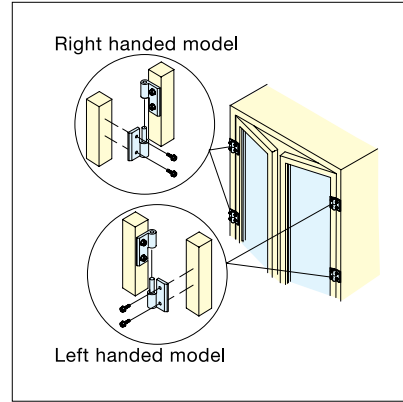
HG-CV65N



Left-Hand Opening



- No metal-to-metal contact.
- Polyacetal bushings minimize particles.
- Ideal for clean room application.



Installation Example

Item No.	Type	Weight (g)	Box (pcs)	Carton (pcs)
HG-CV65NR	Right Hand	49	20	200
HG-CV65NL	Left Hand			

No.	Part Name	Material	Finish
①	Body	Aluminum	Anodized
②	Bushing	Polyacetal	White
③	Hinge Pin	303 Stainless Steel	-

Need handles for your project?

See pages 225 ~ 304

