

DETENT HINGE (WITH, WITHOUT DAMPER)



HG-CSH63

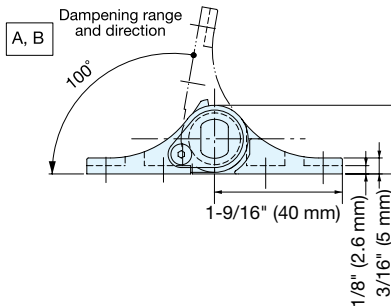
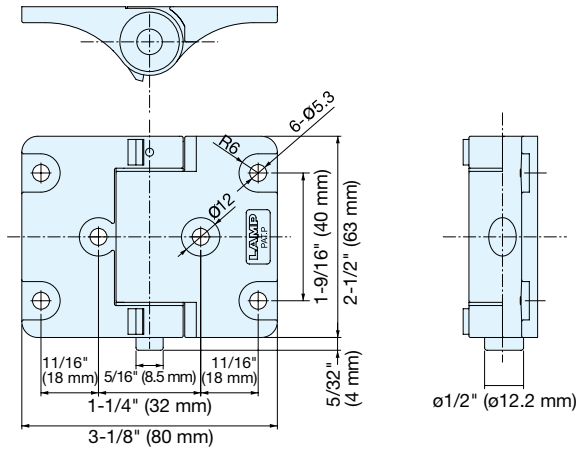
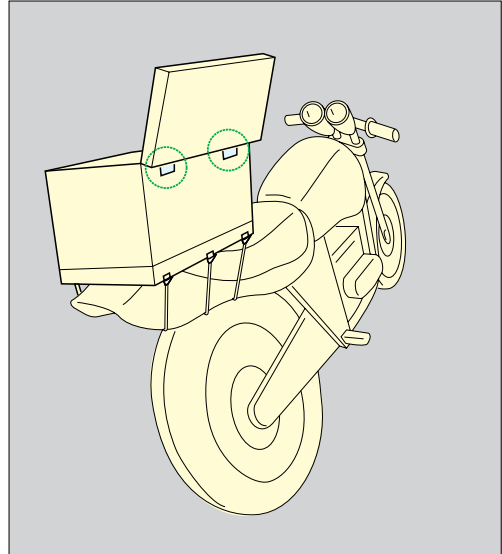
- Detent hinge with built-in damper as an option.
- Detent will hold lid in open/closed position without secondary support, and optional damper will provide soft closing.
- Operating angle: 100°
(Detent at both 0° and 100°)
- Detent holding force: 8.8 lbs-in (10.0 kgf-cm)
- Damper torque range: 9~22 lbs-in (10.2~25.5 kgf-cm)/pc



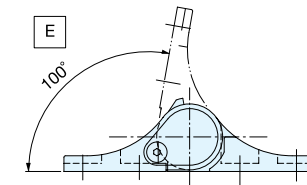
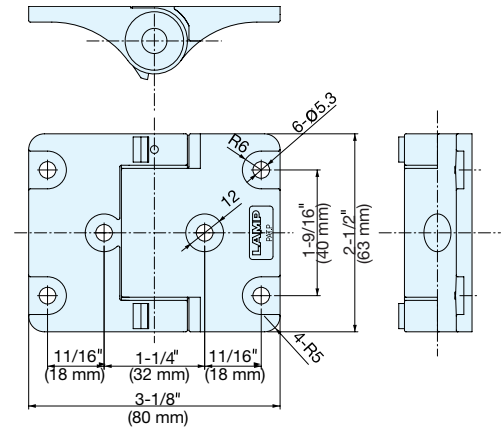
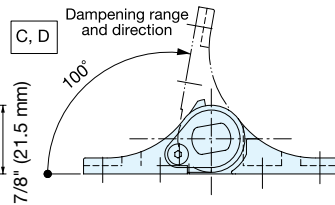
with Damper



with Detent



(W/Damper)



(W/Detent only)

Item No.	Type	Torque per piece	Dampening Direction	Weight (g)	Box (pcs)	Carton (pcs)	Material	Finish
HG-CSH63AH	A	15~22 lbs-in (17.3~25.5 kgf-cm)	Counter Clockwise	114.3	10	120	Zinc Alloy	Silver
HG-CSH63AM	B	9~15 lbs-in (10.2~17.3 kgf-cm)						
HG-CSH63BH	C	15~22 lbs-in (17.3~25.5 kgf-cm)	Clockwise					
HG-CSH63BM	D	9~15 lbs-in (10.2~17.3 kgf-cm)						
HG-CSH63	E	-	-	98.7	-	-	-	-